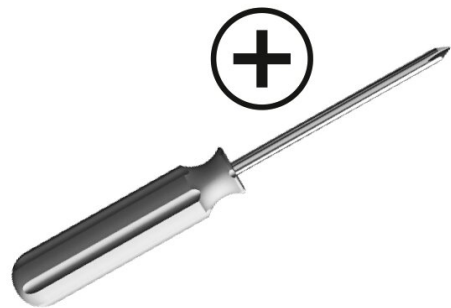
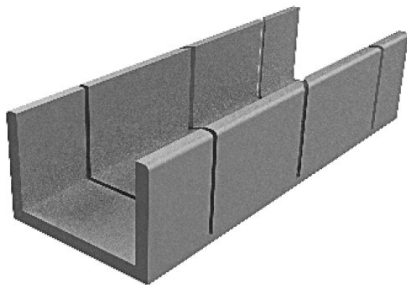
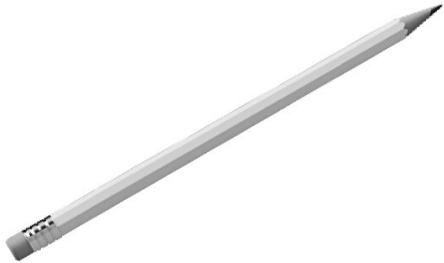
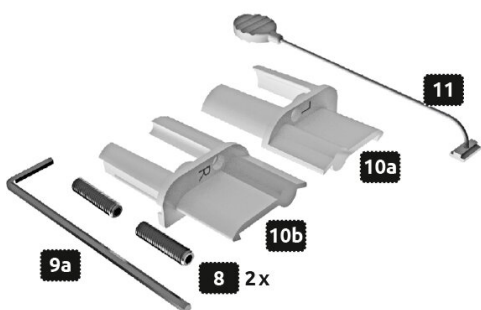
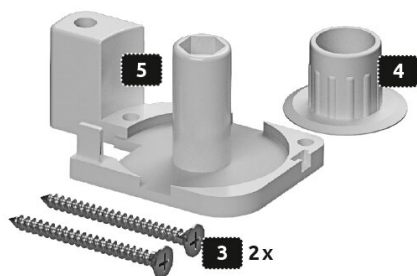
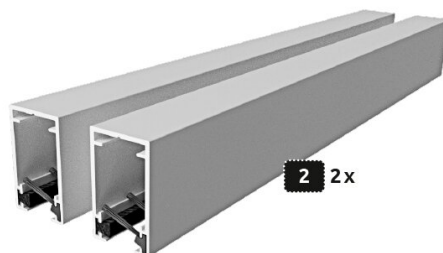
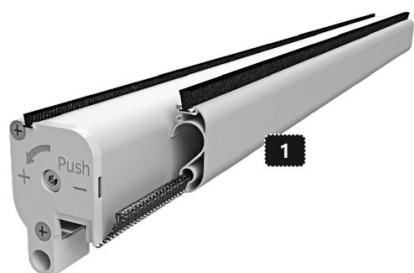


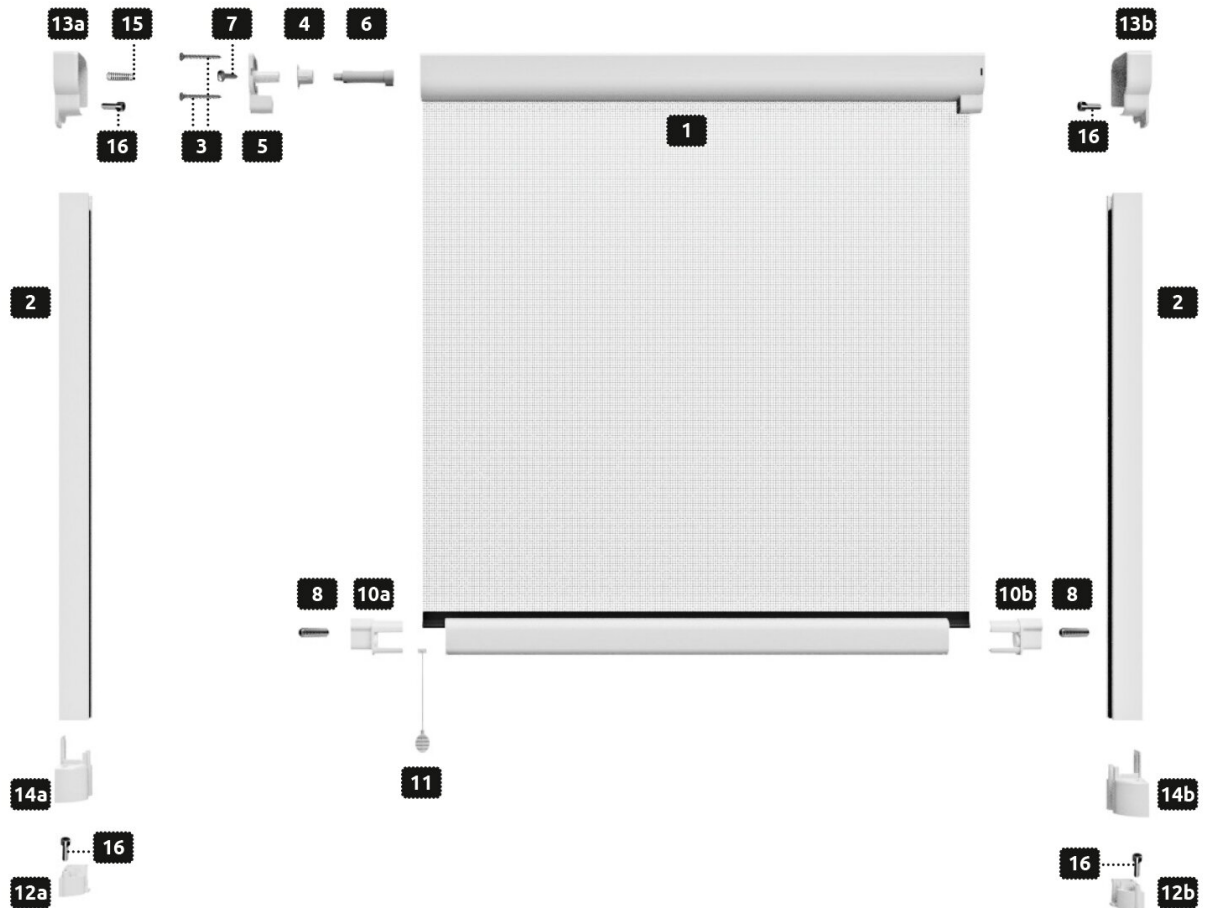
Required Tools



Contents



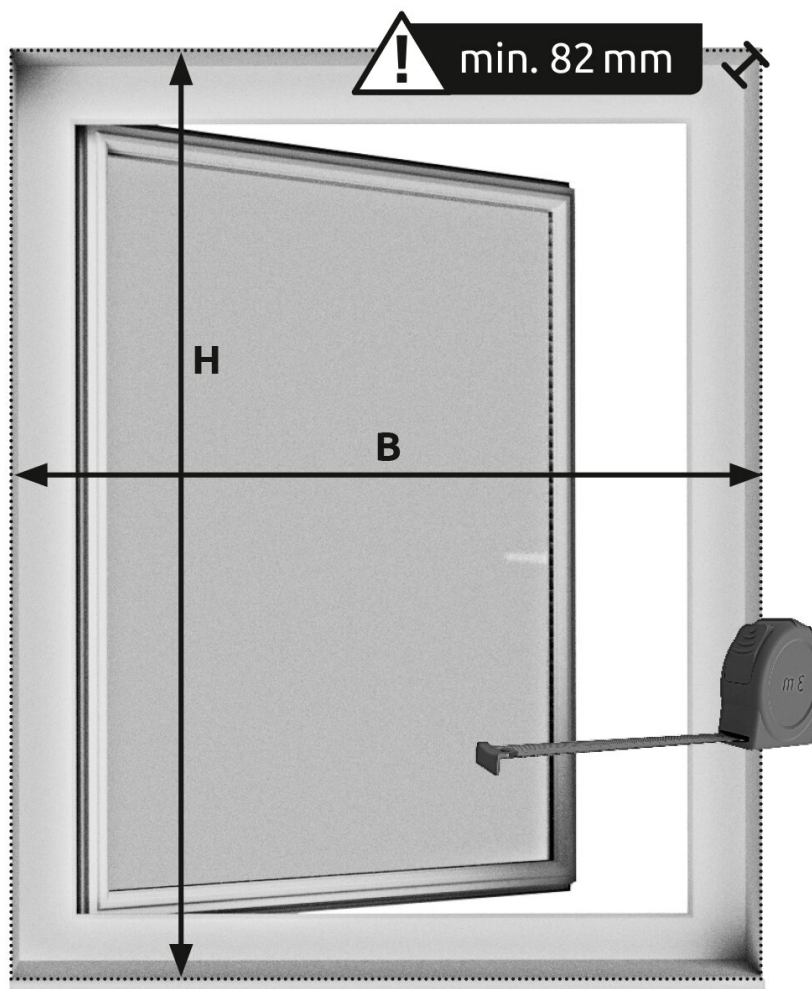
Overview



1

Measure width measurement B of the reveal, by determining the horizontal wall to wall distance.
 Measure height measurement H of the reveal, by determining the vertical wall to wall distance.
 Attention: For this assembly option, you will need a reveal depth of at least 82 mm for the installation of the insect screen blind. Notice: Keep in mind to take the measurements in millimetres. 1 cm = 10 mm.

1

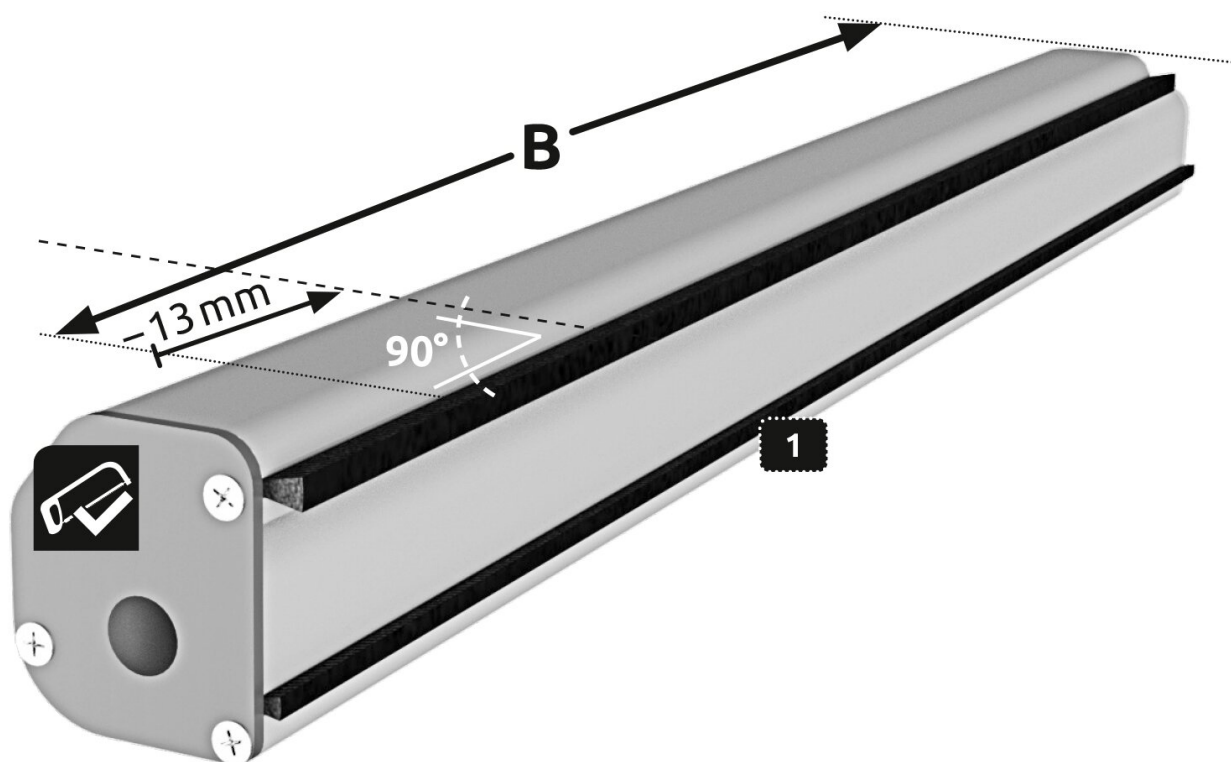


Maß | Measurement | Dimensions **B**:mm

Maß | Measurement | Dimensions **H**:mm

2.1

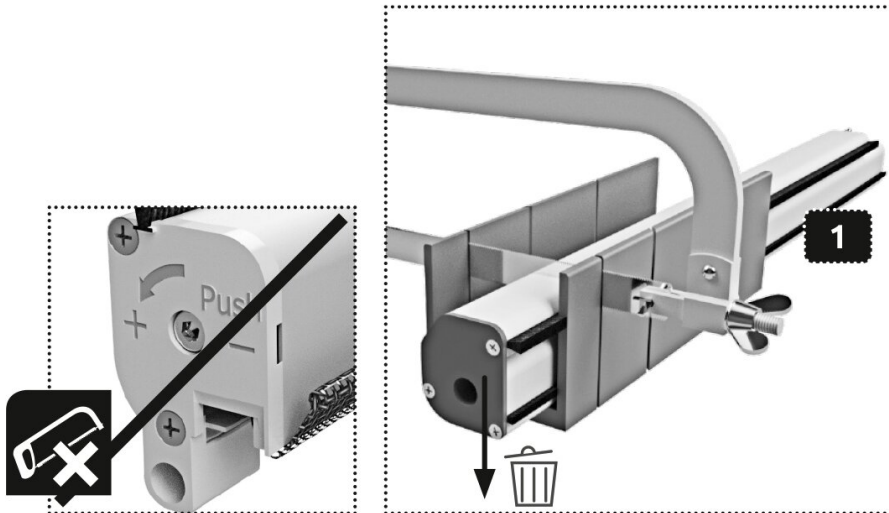
Mark the roller blind cartridge 1 with measurement B minus 13 mm on the side to be shortened. Shorten the roller blind cartridge 1 and grip rail at the marked point with a metal saw. Take note of the position of the cartridge. Example: Measured width of the reveal B = 900 mm - 13 mm = 887 mm. Attention: Risk of injury! Use the saw with caution.

2

2.2

Mark the roller blind cartridge 1 with measurement B minus 13 mm on the side to be shortened. Shorten the roller blind cartridge 1 and grip rail at the marked point with a metal saw. Take note of the position of the cartridge. Example: Measured width of the reveal B = 900 mm - 13 mm = 887 mm. Attention: Risk of injury! Use the saw with caution.

2



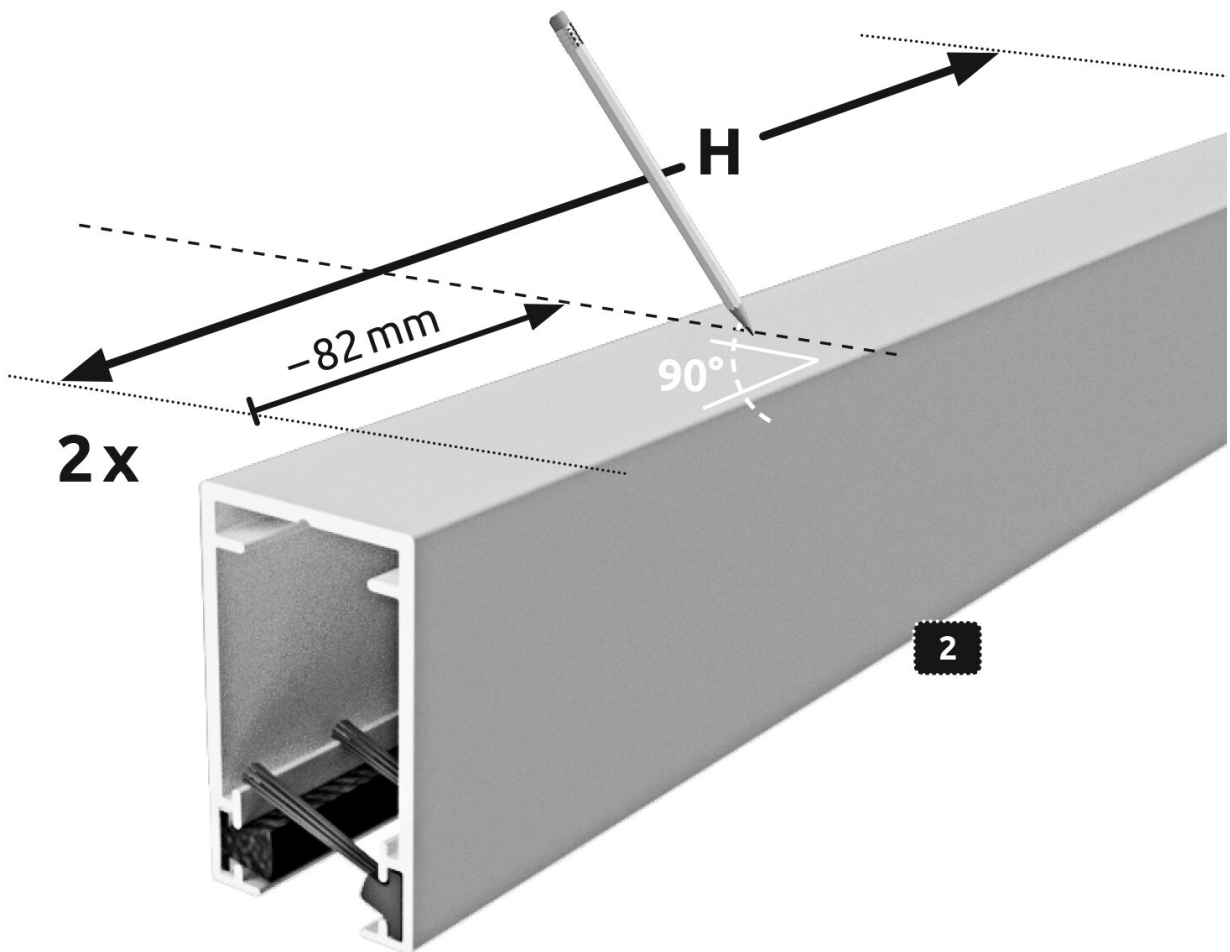
Maß | Measurement | Dimensions B: mm
 - 13 mm
 = mm



Schnittmaß | Trim size | Dimensions de coupe

3.1

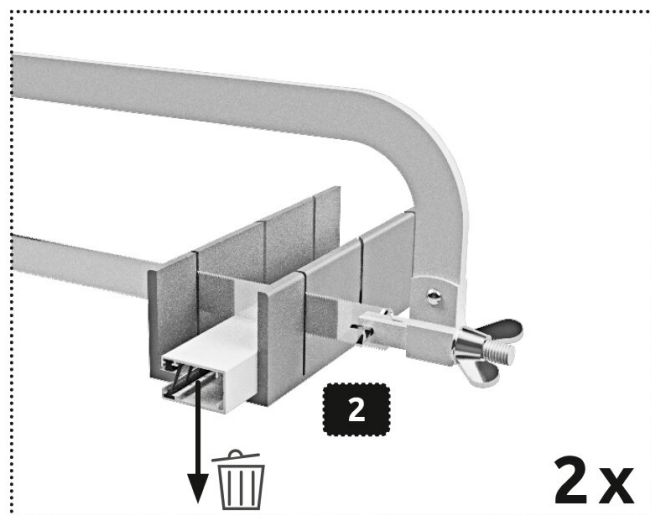
Mark the guide rail 2 with measurement H minus 82 mm. Shorten both guide rails 2 at the marked point with a metal saw. Example: Measured height of the reveal H = 1200 mm - 82 mm = 1118 mm. Attention: Risk of injury! Use the saw with caution.

3

3.2

Mark the guide rail 2 with measurement H minus 82 mm. Shorten both guide rails 2 at the marked point with a metal saw. Example: Measured height of the reveal H = 1200 mm - 82 mm = 1118 mm.
Attention: Risk of injury! Use the saw with caution.

3



Maß | Measurement | Dimensions H: mm

- 82 mm

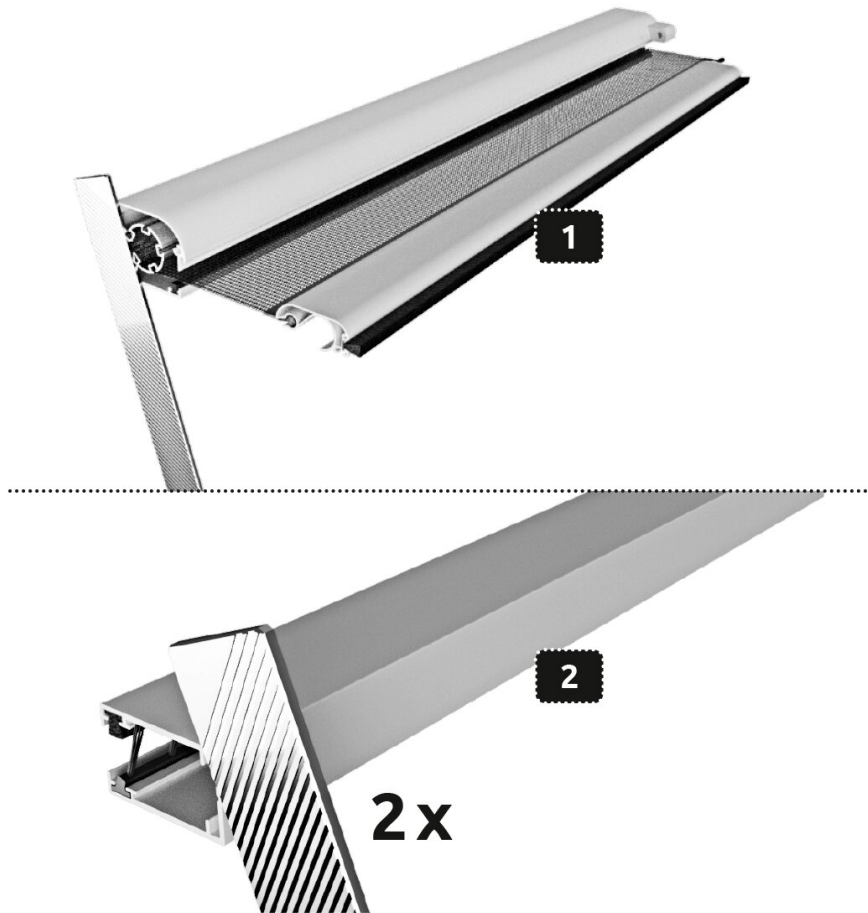
= mm



Schnittmaß | Trim size | Dimensions de coupe

4

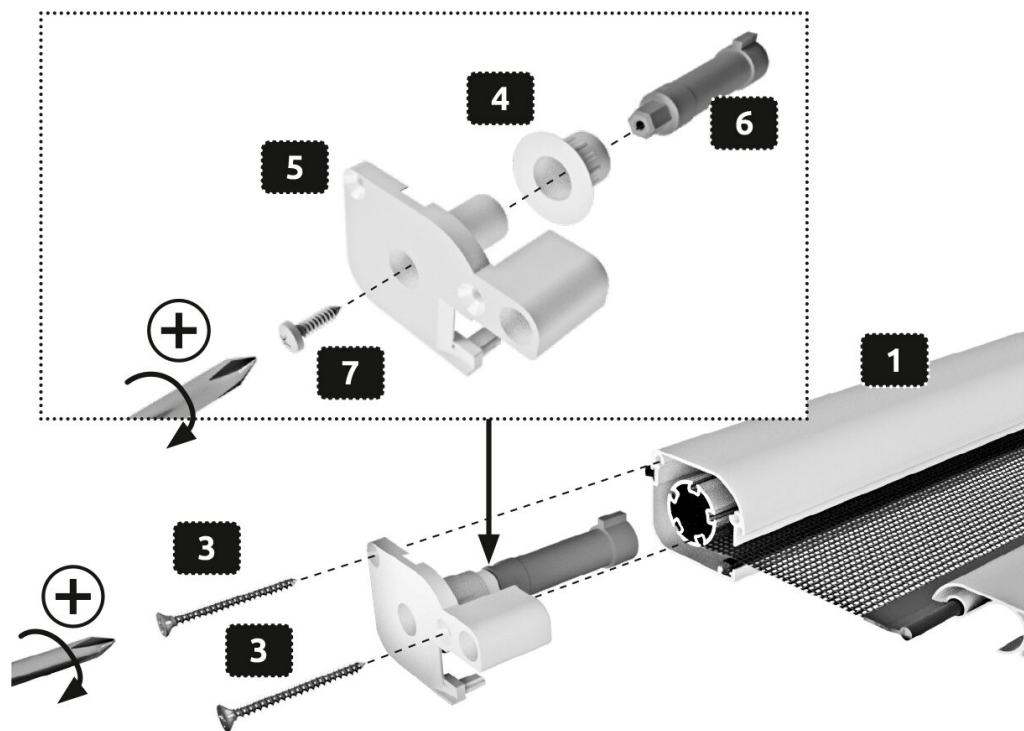
Deburr the intersection between with the cartridge 1 and the guide rails 2 with a file.

4

5

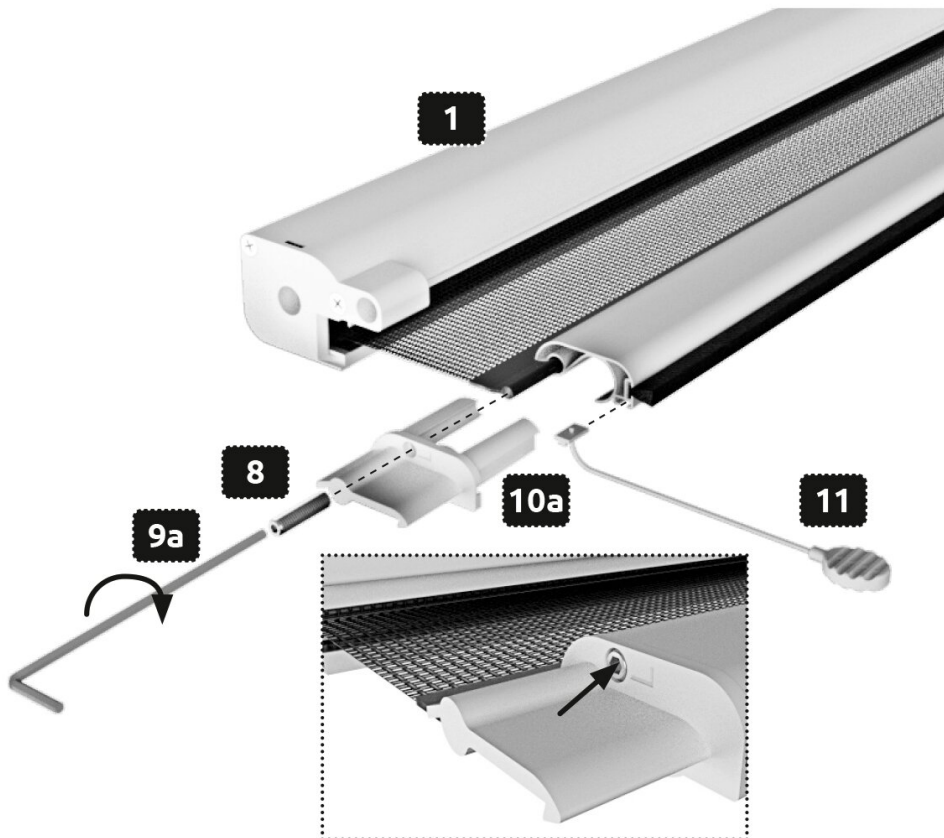
Attach the shaft bearing 4 to the spike on the end cap 5. Insert the brake unit 6 into the recess and screw this with the screw 7 through the hole in the end cap 5. Then attach the remaining part to the roller blind cartridge 1. Screw this in with both screws 3.

5



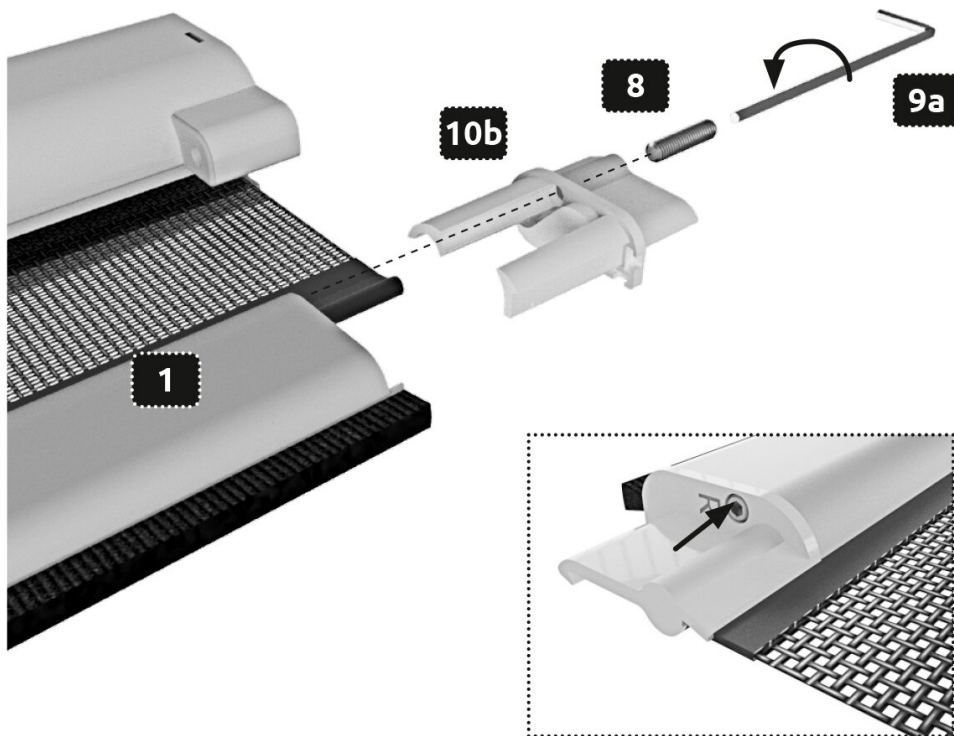
6

Push the draw cord 11 into the groove in the guide rail and attach the left grip lock 10a to the side in the guide rail on the roller blind cassette 1. Attach it by screwing in the threaded pin 8 through the hexagonal socket 9a.

6

7

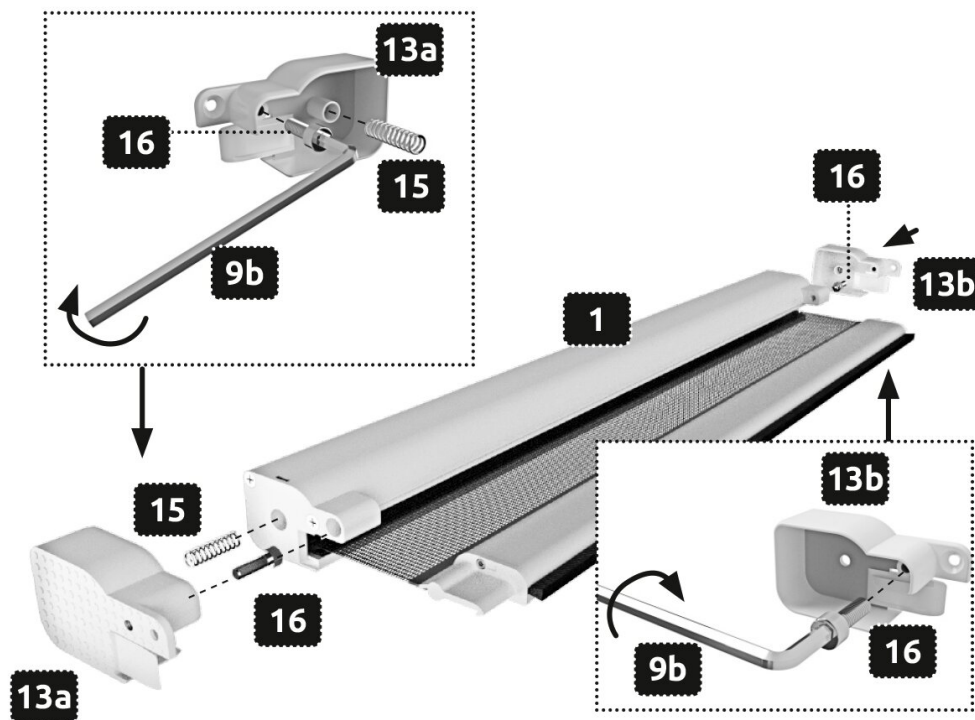
Attach the right grip lock 10b to the side of the guide rail on the roller blind cassette 1. Attach it by screwing in the threaded pin 8 through the hexagonal socket 9a.

7

8

Attach one screw each 16 through the hexagonal socket 9b in the intended middle recess of the end caps 13a and 13b. Take note of the position of the end caps. Insert the spring 15 in the right recess of the left end cap 13a. Attach the covering caps 13a and 13b to the cassette 1.

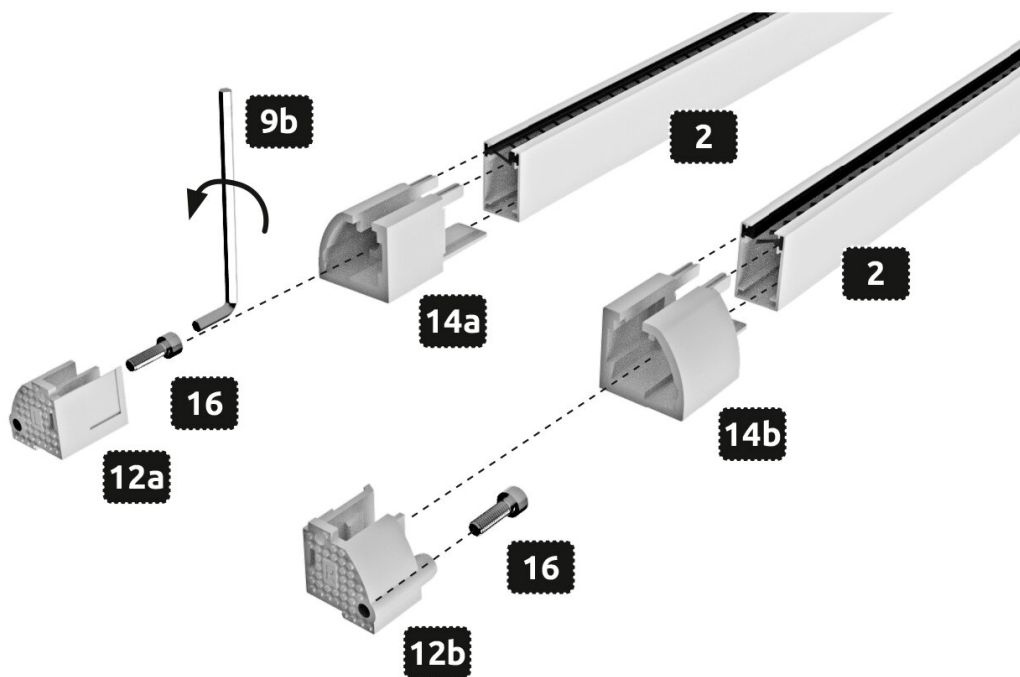
8



9

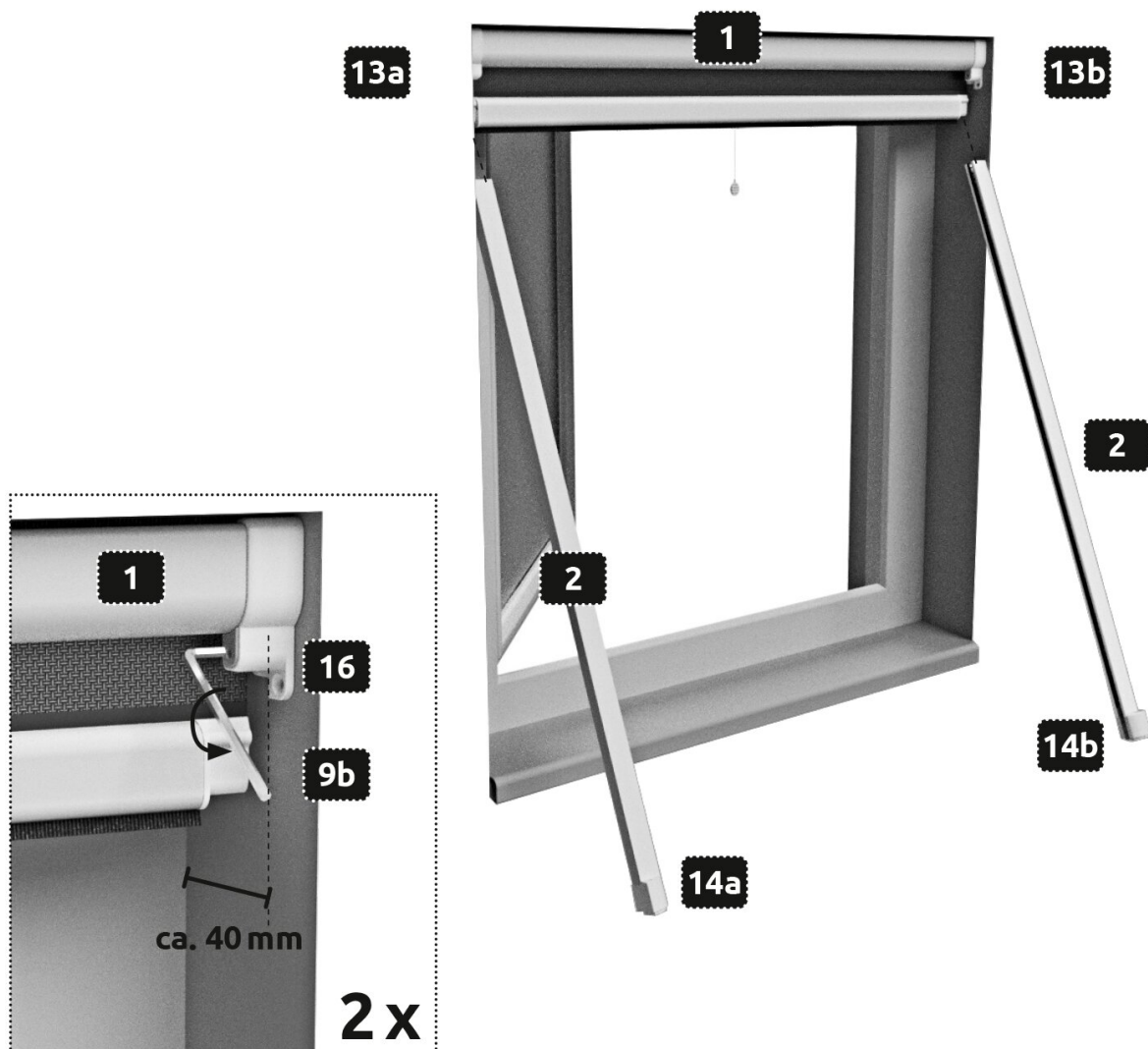
Attach one screw each 16 through the hexagonal socket 9b in the intended middle recess of the end caps 12a and 12b. Connect the lower and upper clamp parts 12a and 14a, as well as 12b and 14b together. Insert the connected clamp units into the guide rails 2. Take note of the position of the depicted individual parts.

9



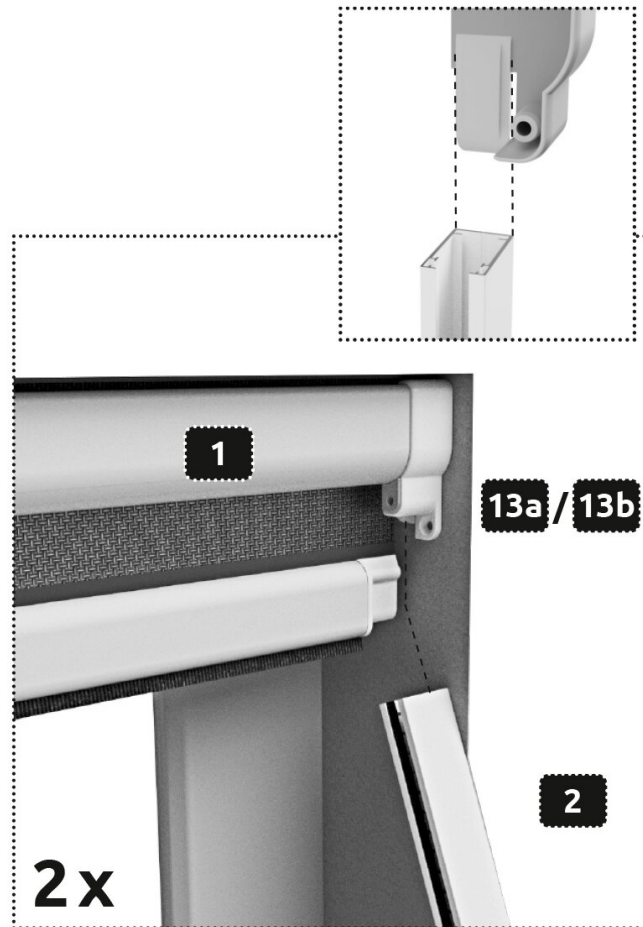
10.1

Initially, loosely clamp the roller blind cassette 1 with approx. 40 mm distance to the window into the reveal by using the inner screws 16 via the hexagonal socket 9b. The screw section should point outwards, when doing this. Attach the guide rails 2 via the end caps 13a and 13b with the roller blind cassette 1.

10


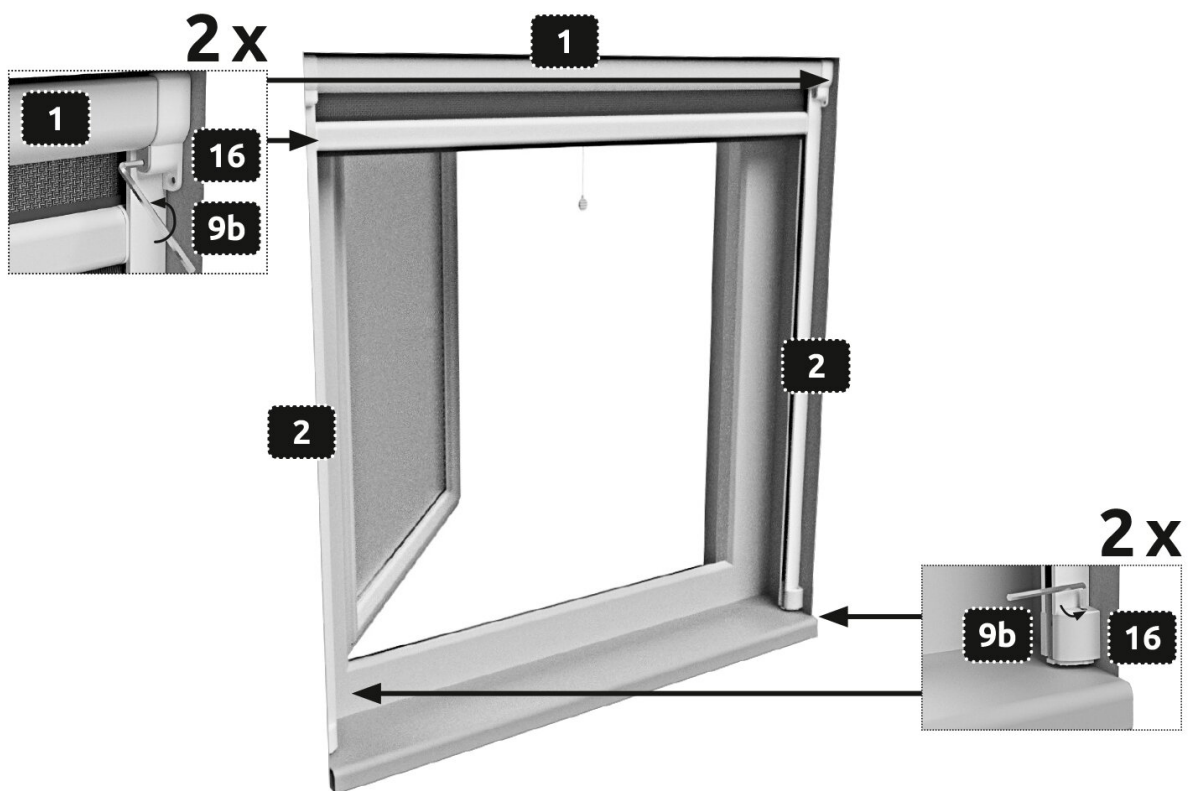
10.2

Initially, loosely clamp the roller blind cassette 1 with approx. 40 mm distance to the window into the reveal by using the inner screws 16 via the hexagonal socket 9b. The screw section should point outwards, when doing this. Attach the guide rails 2 via the end caps 13a and 13b with the roller blind cassette 1.

10

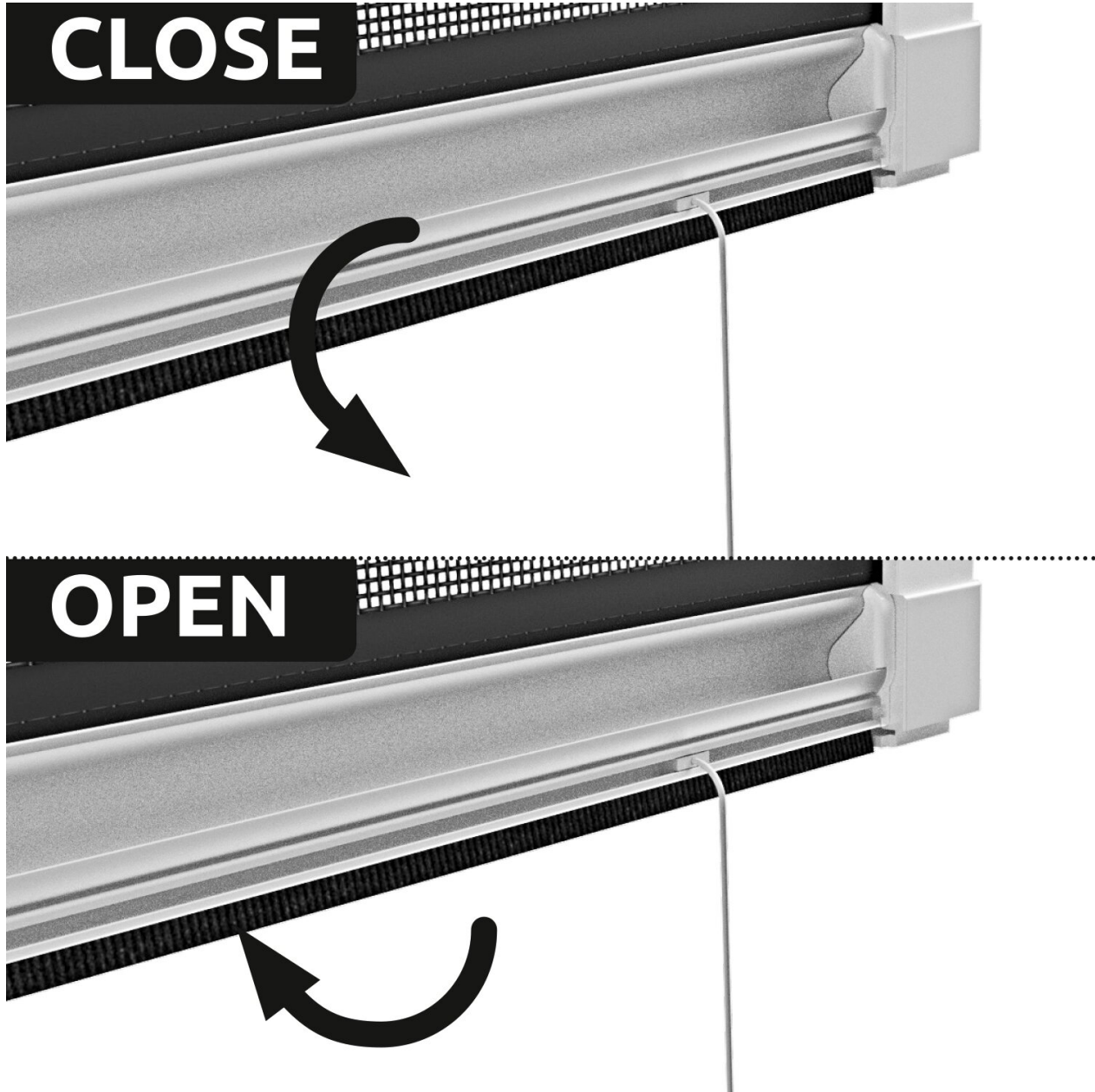
11

Attach the roller blind through adjusting the inner screws 16 on the roller blind cassette 1 and guide rails 2 via the hexagonal socket 9b in the wall reveal.

11

Close/Open

To close the roller blind, pull the guide rail down. This snaps into the side locking elements. To open, press the guide rails down and out so they unlock.



Optional

The roller blind is preloaded. You can adjust the tension on the blind, if necessary. Take note of the max. number of rotations, which is 20 rotations.

OPTIONAL

