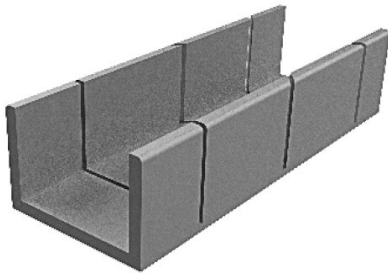
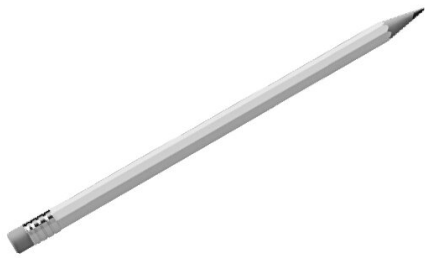
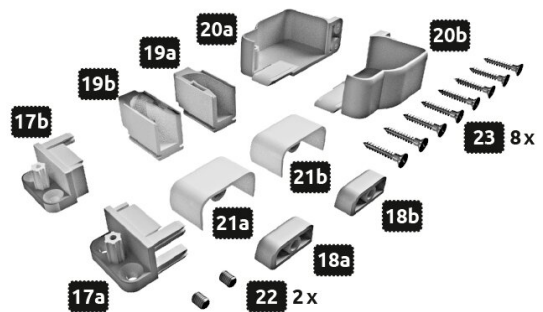
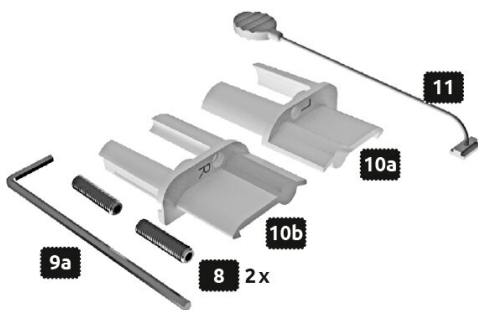
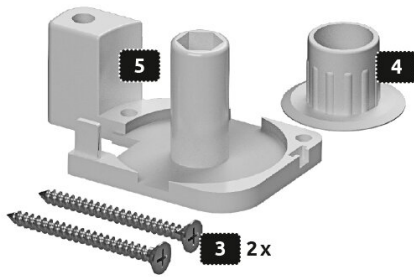
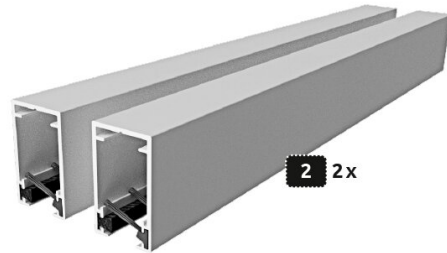


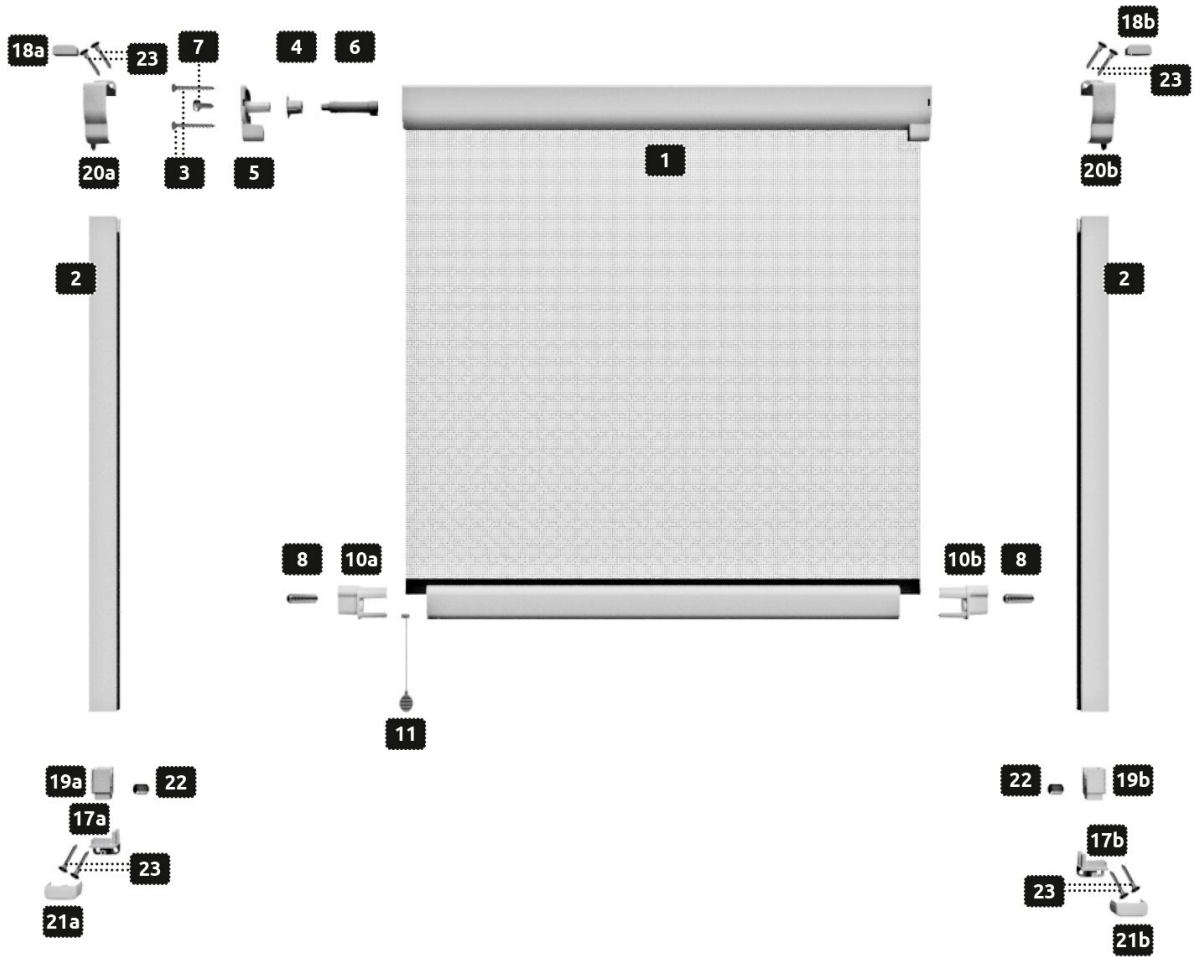
Required Tools



Contents



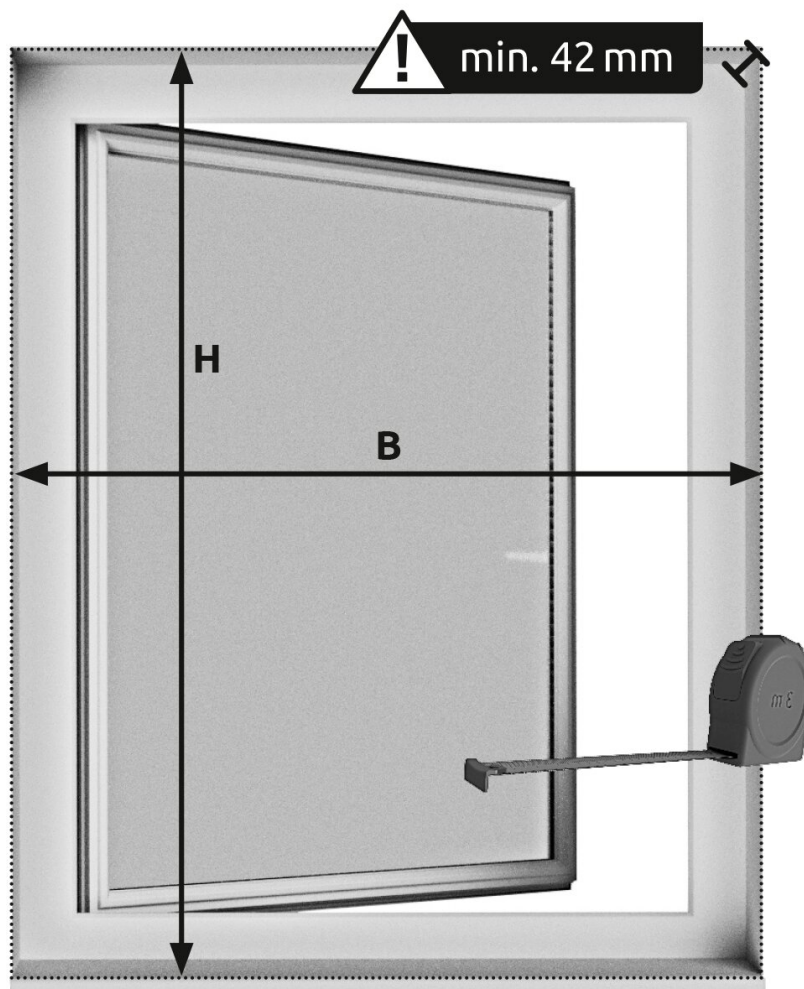
Overview



1

Measure width measurement B of the reveal, by determining the horizontal wall to wall distance.
 Measure height measurement H of the reveal, by determining the vertical wall to wall distance.
 Attention: For this assembly option, you will need a reveal depth of at least 42 mm for the installation of the insect screen blind. Notice: Keep in mind to take the measurements in millimetres. 1 cm = 10 mm.

1

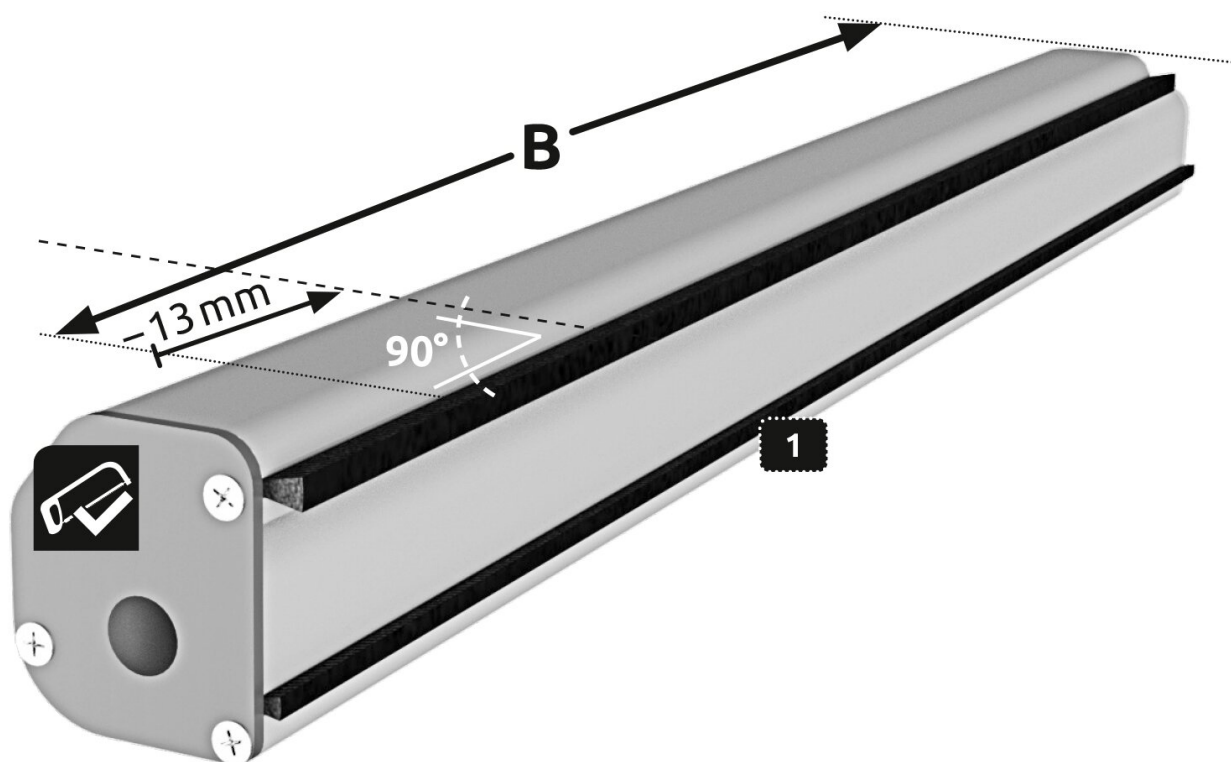


Maß | Measurement | Dimensions **B**:mm

Maß | Measurement | Dimensions **H**:mm

2.1

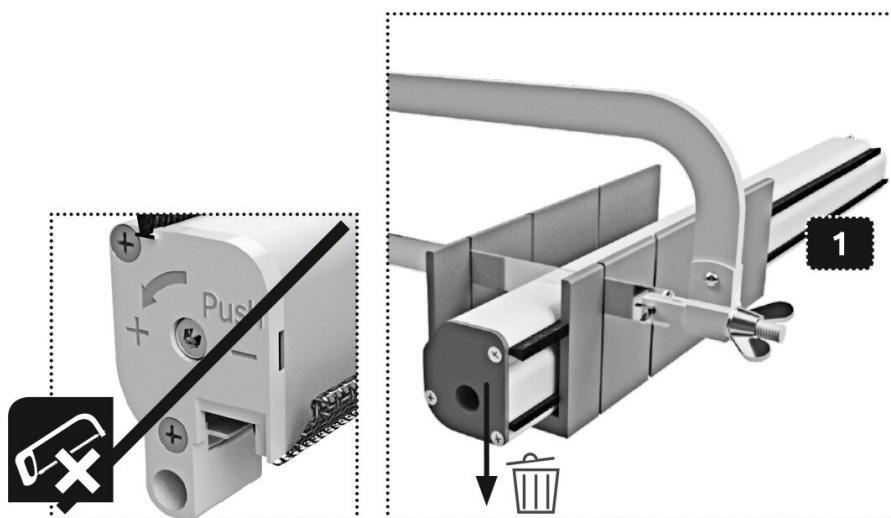
Mark the roller blind cartridge 1 with measurement B minus 13 mm on the side to be shortened. Shorten the roller blind cartridge 1 and grip rail at the marked point with a metal saw. Take note of the position of the cartridge. Example: Measured width of the reveal B = 900 mm - 13 mm = 887 mm. Attention: Risk of injury! Use the saw with caution.

2

2.2

Mark the roller blind cartridge 1 with measurement B minus 13 mm on the side to be shortened. Shorten the roller blind cartridge 1 and grip rail at the marked point with a metal saw. Take note of the position of the cartridge. Example: Measured width of the reveal B = 900 mm - 13 mm = 887 mm. Attention: Risk of injury! Use the saw with caution.

2



Maß | Measurement | Dimensions B: mm

– 13 mm

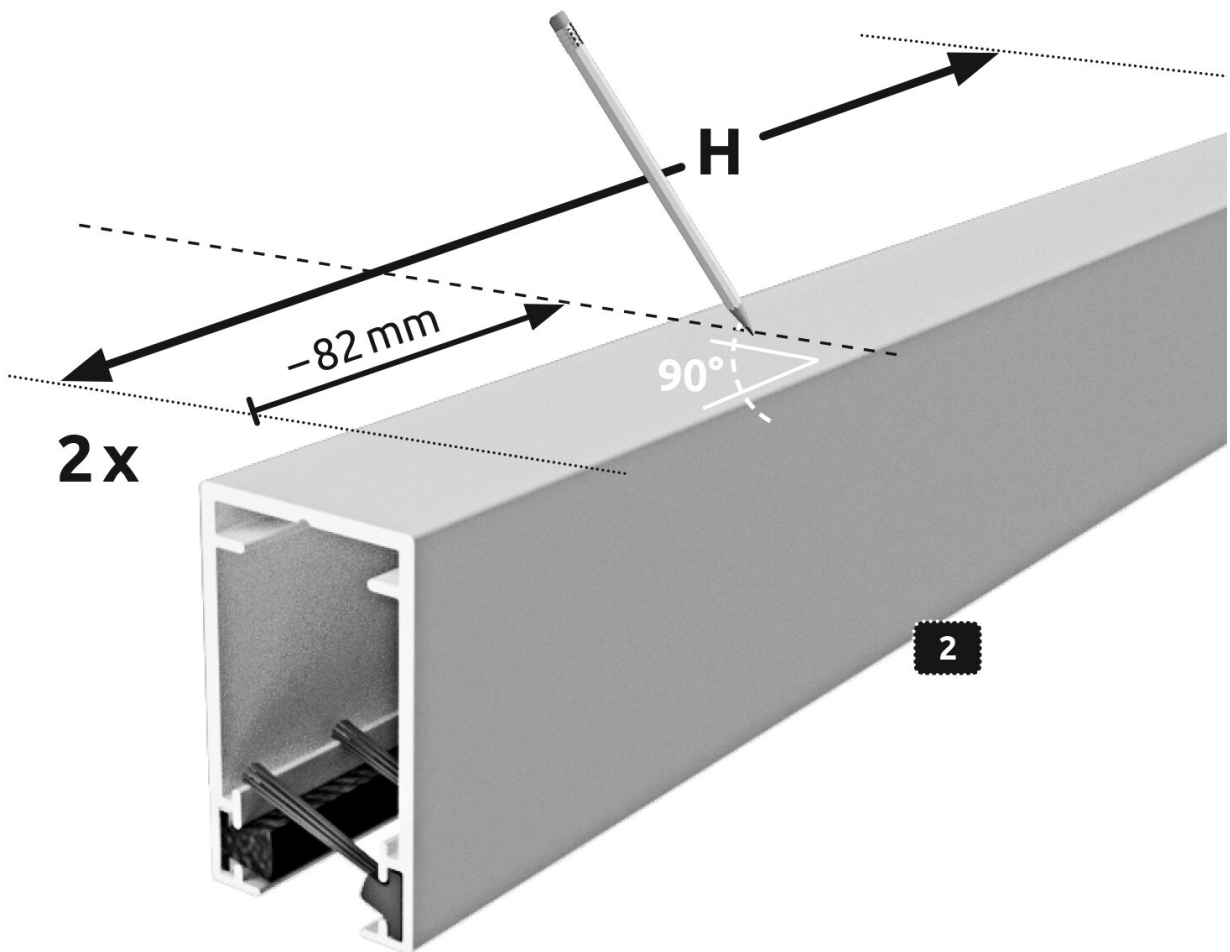
= mm



Schnittmaß | Trim size | Dimensions de coupe

3.1

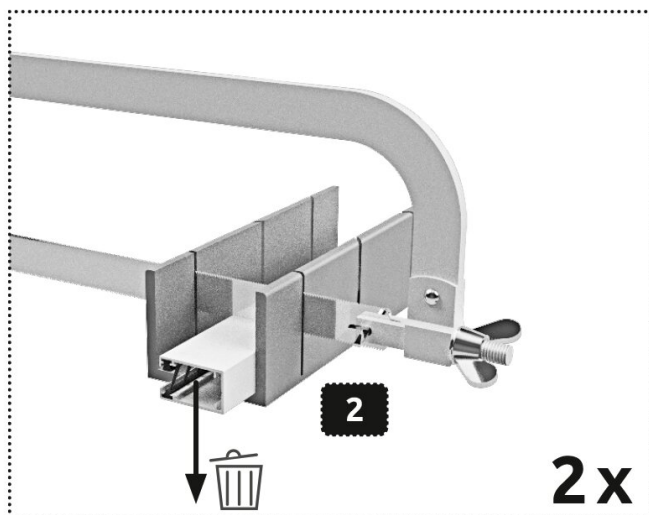
Mark the guide rail 2 with measurement H minus 82 mm. Shorten both guide rails 2 at the marked point with a metal saw. Example: Measured height of the reveal H = 1200 mm - 82 mm = 1118 mm. Attention: Risk of injury! Use the saw with caution.

3

3.2

Mark the guide rail 2 with measurement H minus 82 mm. Shorten both guide rails 2 at the marked point with a metal saw. Example: Measured height of the reveal H = 1200 mm - 82 mm = 1118 mm.
Attention: Risk of injury! Use the saw with caution.

3



Maß | Measurement | Dimensions H: mm

- 82 mm

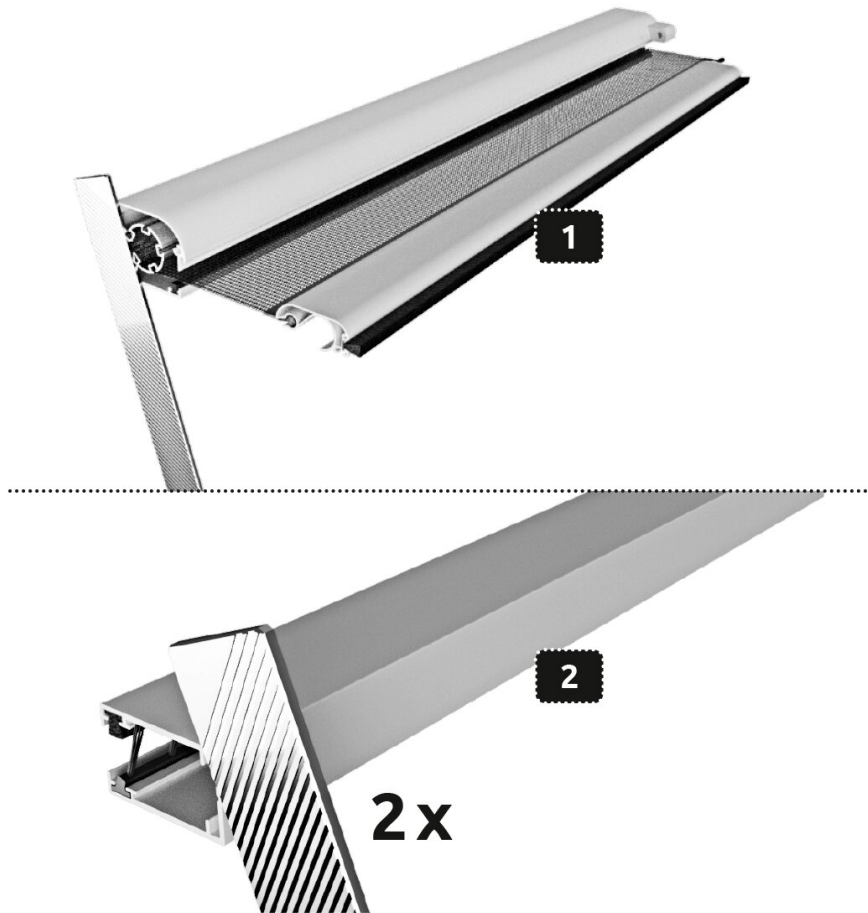
= mm



Schnittmaß | Trim size | Dimensions de coupe

4

Deburr the intersection between with the cartridge 1 and the guide rails 2 with a file.

4

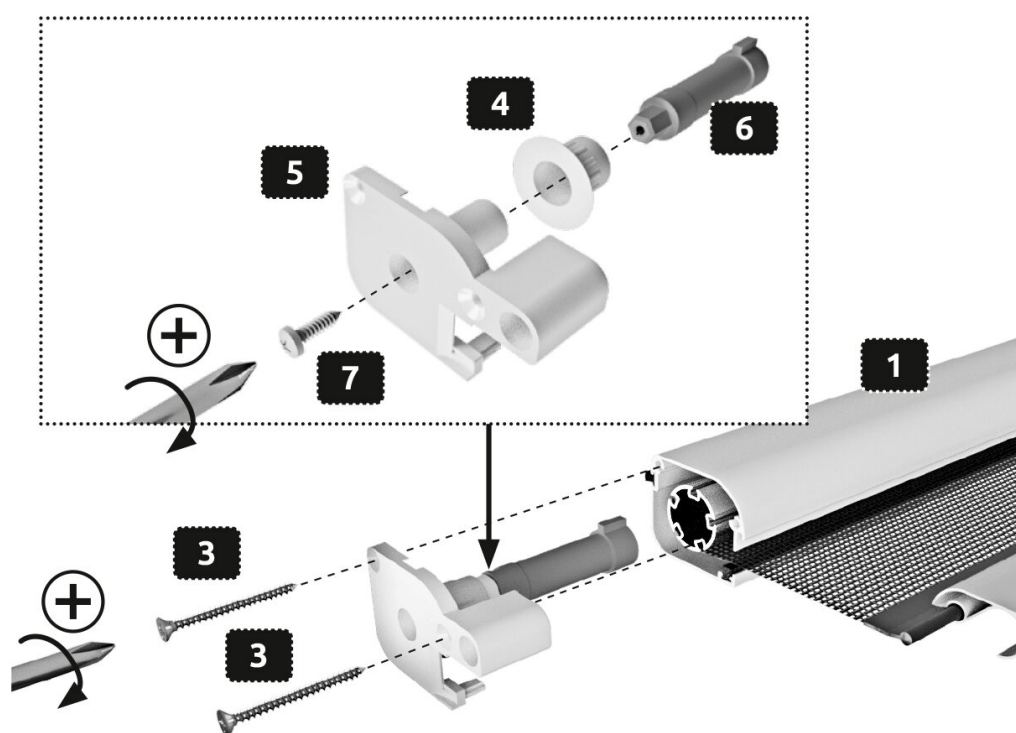
5

Remove the sealing brush a from the cartridge 1. Pull the sealing brush b from the guide rail and insert it into the downward-facing open groove for later sealing towards the window frame.

5

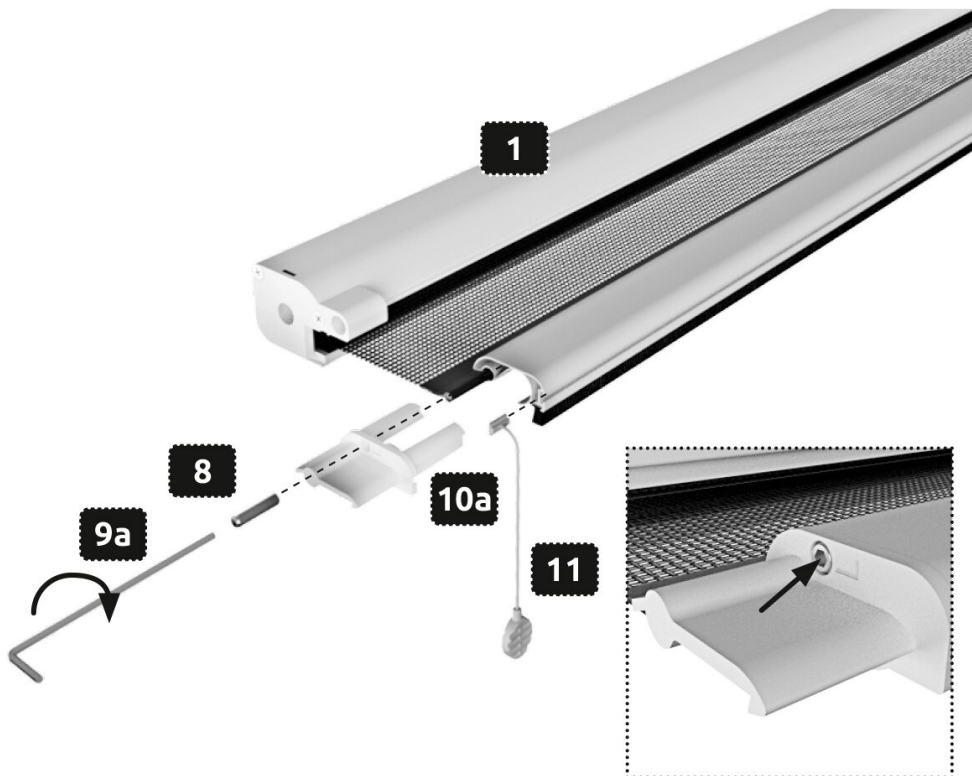
6

Attach the shaft bearing 4 to the spike on the end cap 5. Insert the brake unit 6 into the recess and screw this with the screw 7 through the hole in the end cap 5. Then attach the remaining part to the roller blind cartridge 1. Screw this in with both screws 3.

6

7

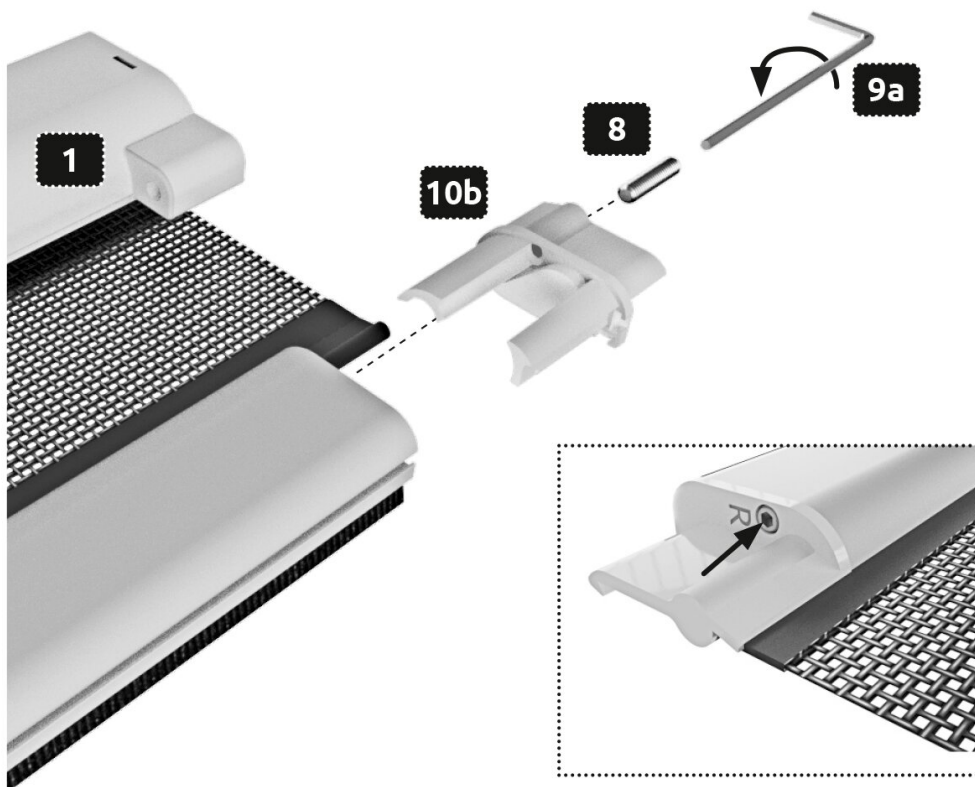
Push the draw cord 11 into the groove in the guide rail and attach the left grip lock 10a to the side in the guide rail on the roller blind cassette 1. Attach it by screwing in the threaded pin 8 through the hexagonal socket 9a.

7

8

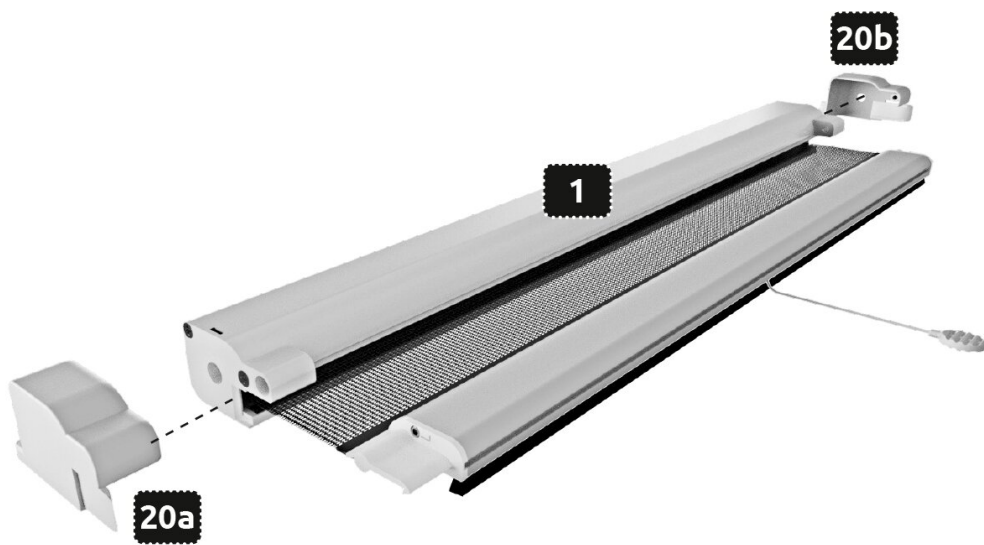
Attach the right grip lock 10b to the side of the guide rail on the roller blind cassette 1. Attach it by screwing in the threaded pin 8 through the hexagonal socket 9a.

8



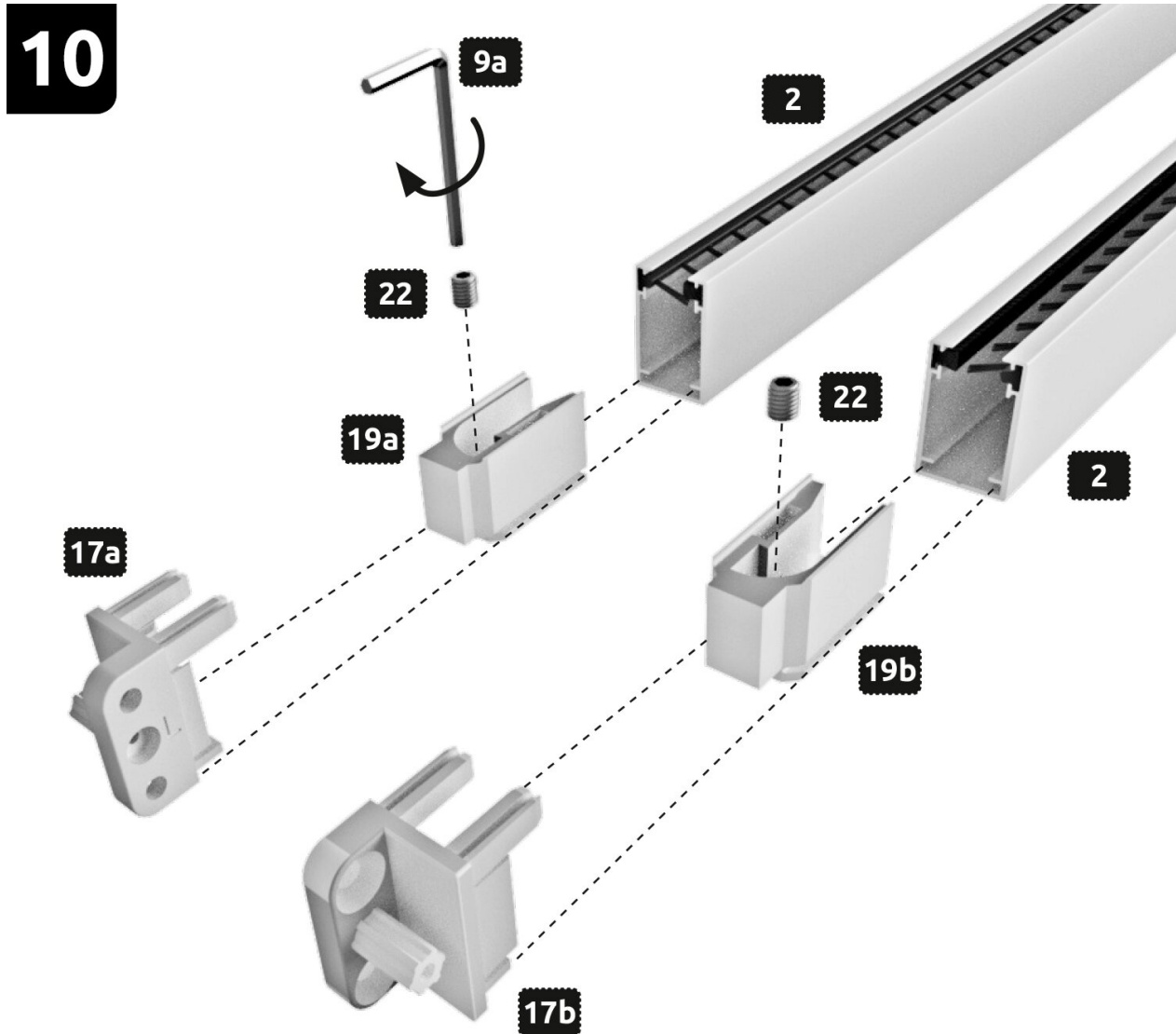
9

Attach the end caps 20a and 20b to the cassette 1.

9

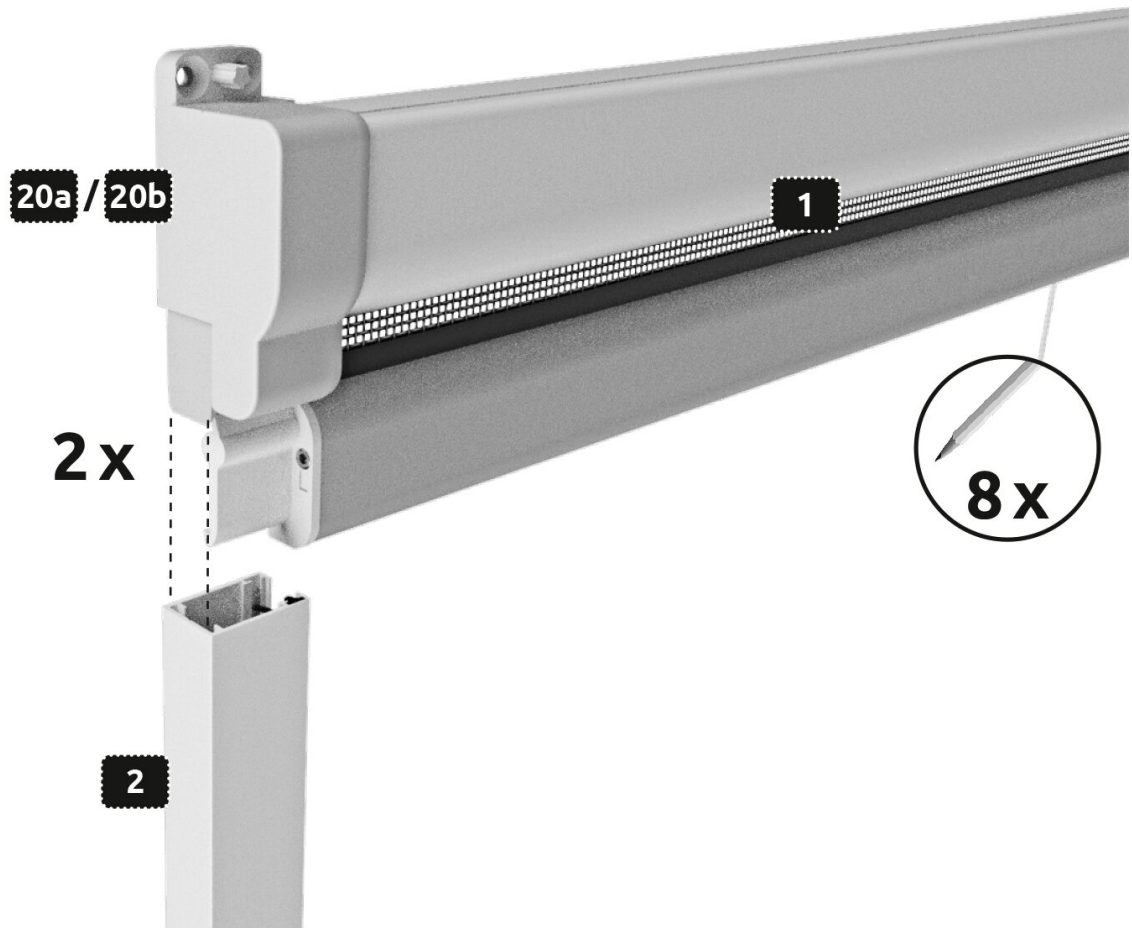
10

Attach the threaded pins 22 via the hexagonal socket 9a to the dedicated openings in the locking elements 19a and 19b. Attach the locking elements 19a and 19b to the guide rails 2. Insert the attaching elements 17a and 19b into the guide rails 2. Take note of the position of the individual parts.



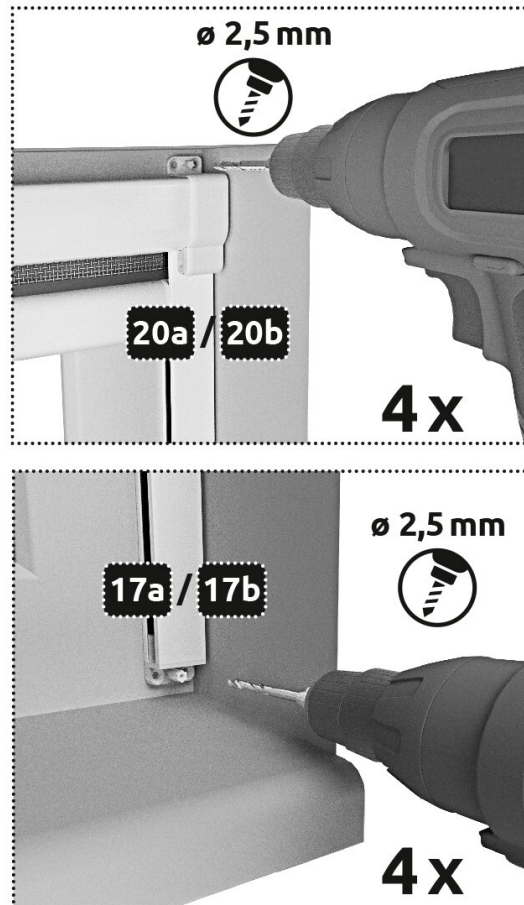
11.1

Attach the guide rails 2 via the end caps 20a and 20b to the roller blind cassette 1. Move the roller blind towards the window frame and make a mark of the eight holes through the recesses on the attaching elements 20a, 20b and 17a, 17b. Drill into the window frame with a \varnothing 2,5 mm drill.

11

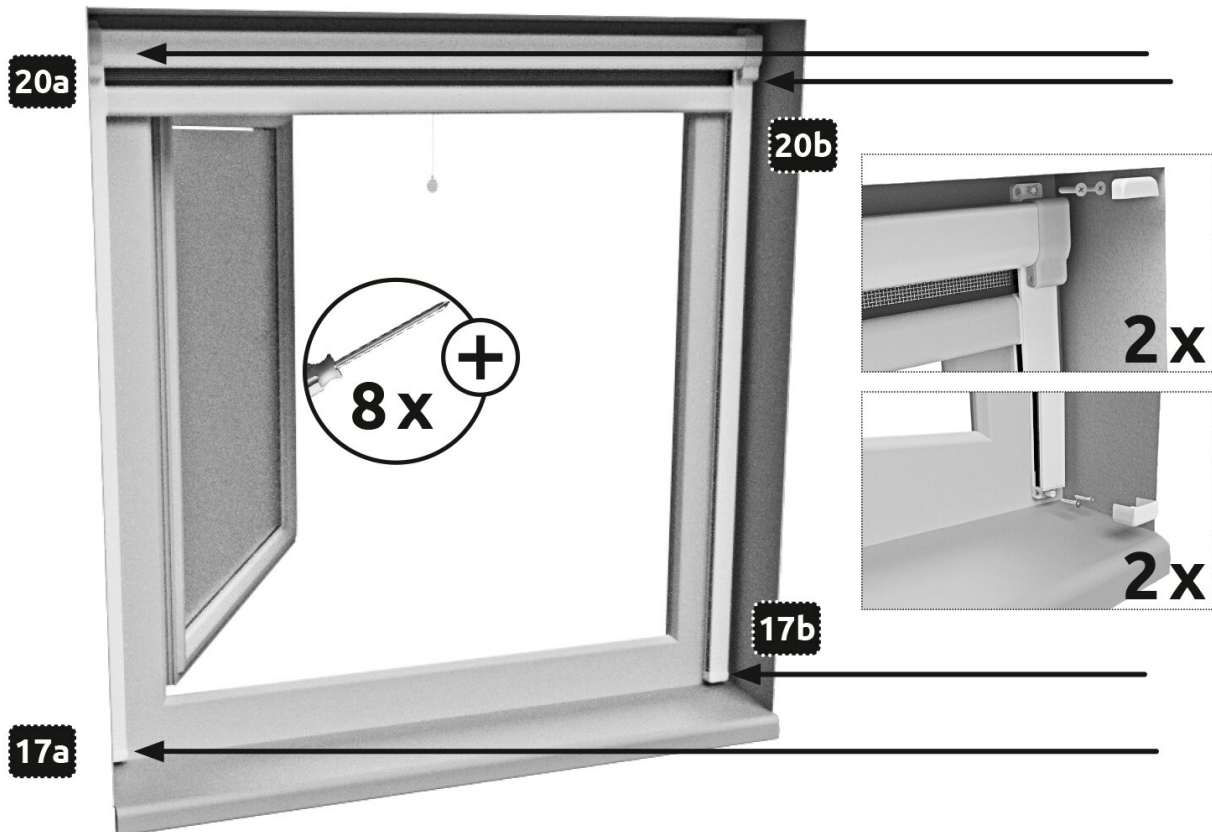
11.2

Attach the guide rails 2 via the end caps 20a and 20b to the roller blind cassette 1. Move the roller blind towards the window frame and make a mark of the eight holes through the recesses on the attaching elements 20a, 20b and 17a, 17b. Drill into the window frame with a \varnothing 2,5 mm drill.

11

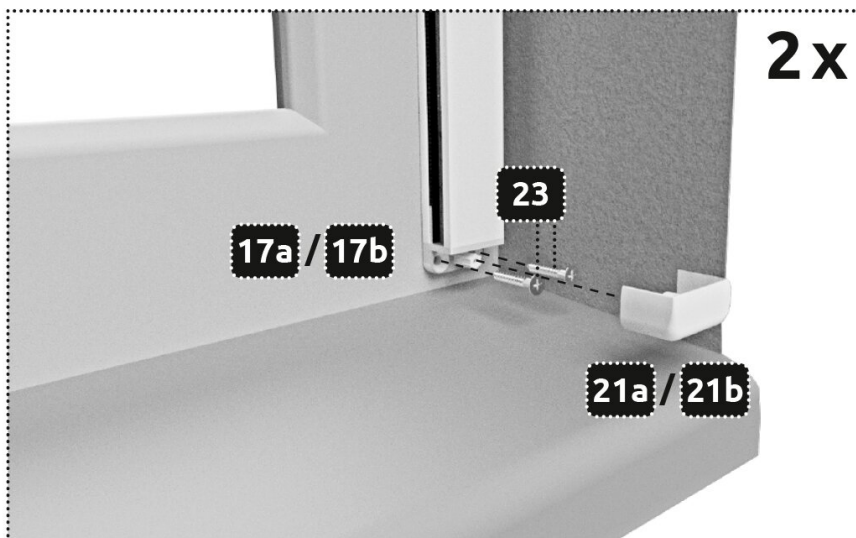
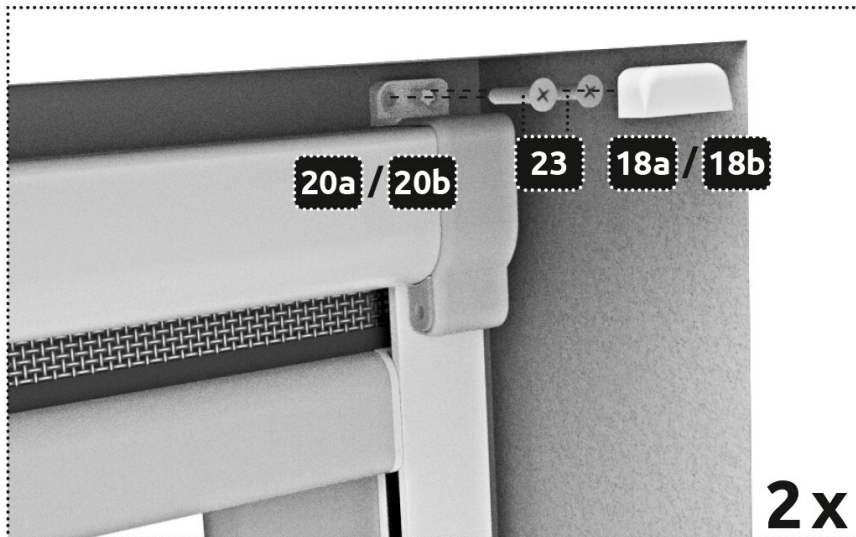
12.1

Screw the roller blind above the attachment elements 20a, 20b and 17a, 17b with screws 23. Attach the screw covers 18a, 18b to the top of the roller blind, 21a, 21b to the bottom of the roller blind.

12

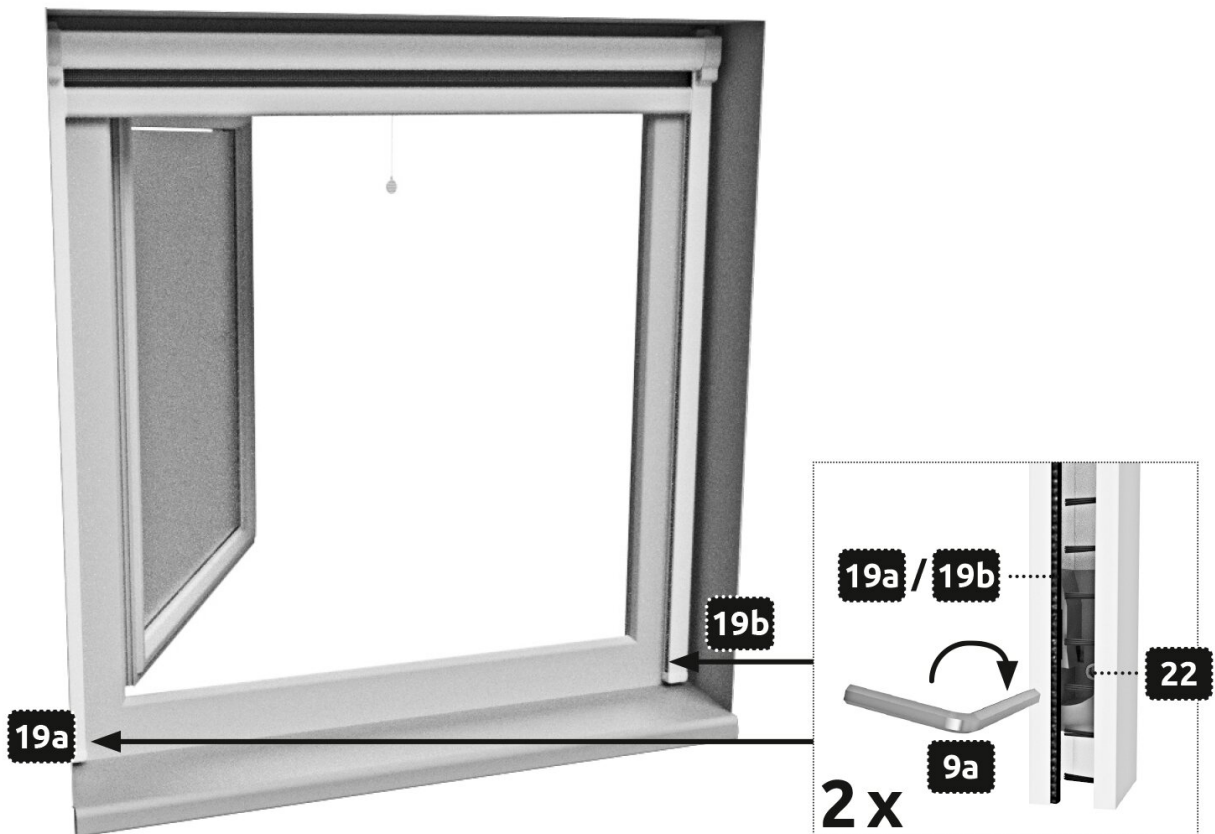
12.2

Screw the roller blind above the attachment elements 20a, 20b and 17a, 17b with screws 23. Attach the screw covers 18a, 18b to the top of the roller blind, 21a, 21b to the bottom of the roller blind.

12

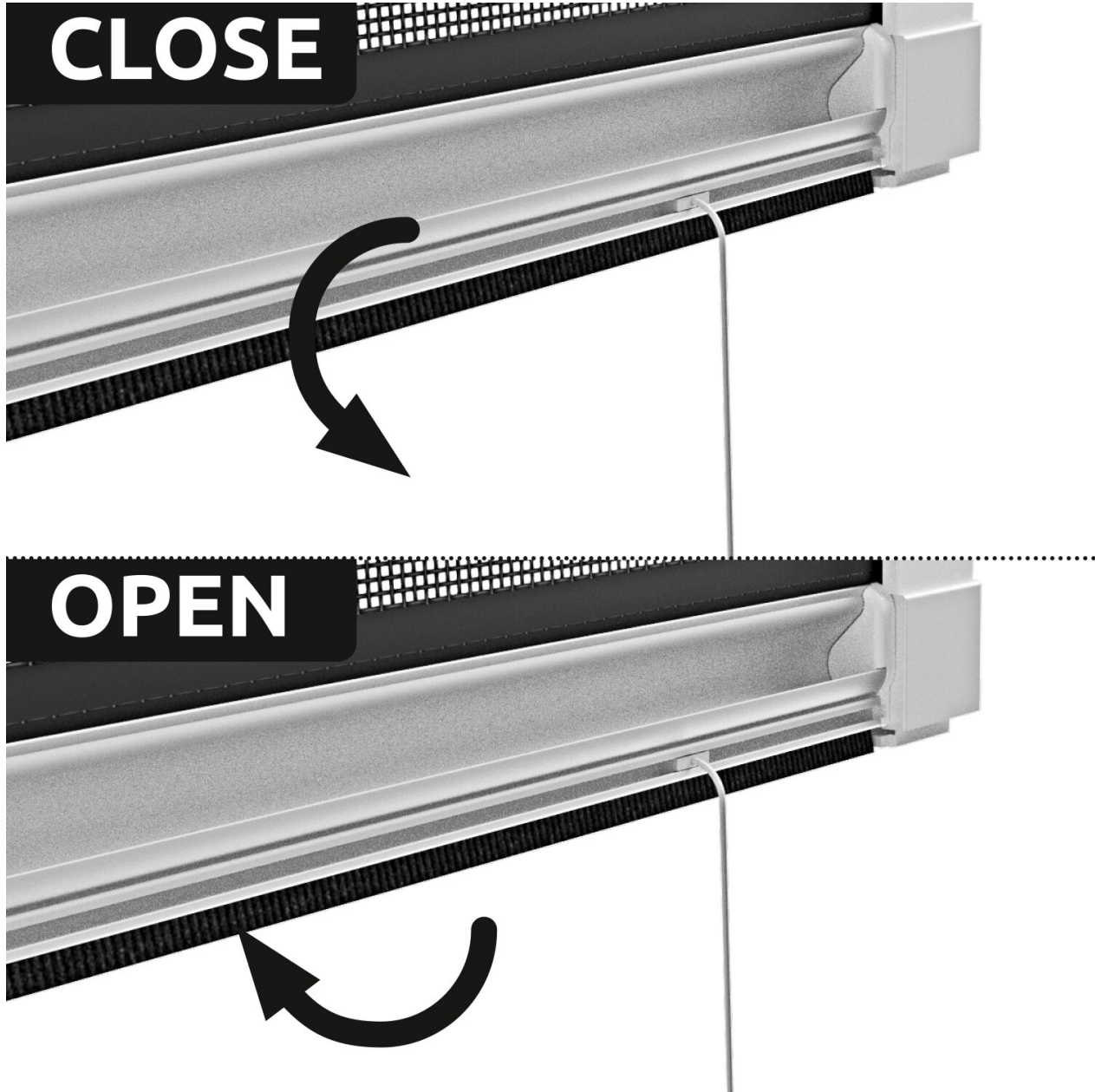
13

Adjust the locking elements 19a and 19b by tightening the threaded pins 22 via the hexagonal socket 9a to the desired height, so that the guide rail is easily accessible.

13

Close/Open

To close the roller blind, pull the guide rail down. This snaps into the side locking elements. To open, press the guide rails down and out so they unlock.



Optional

The roller blind is preloaded. You can adjust the tension on the blind, if necessary. Take note of the max. number of rotations, which is 20 rotations.

OPTIONAL

