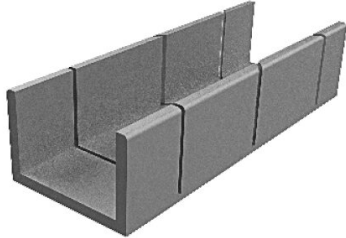
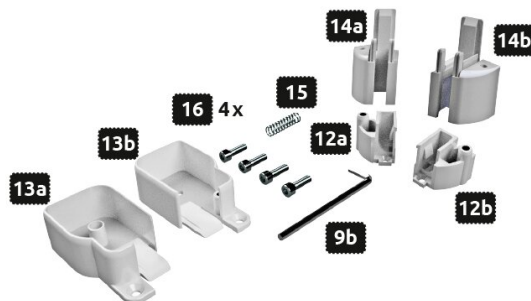
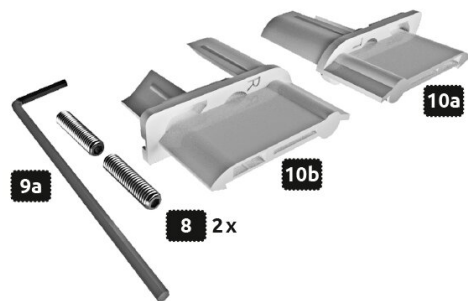
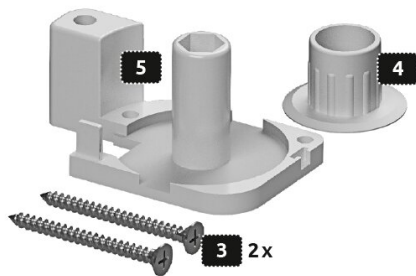
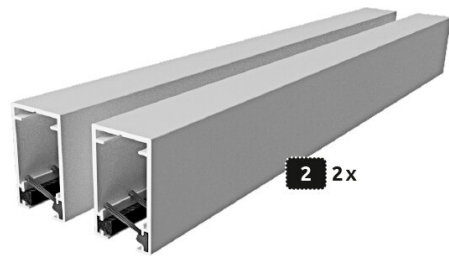


## Required Tools

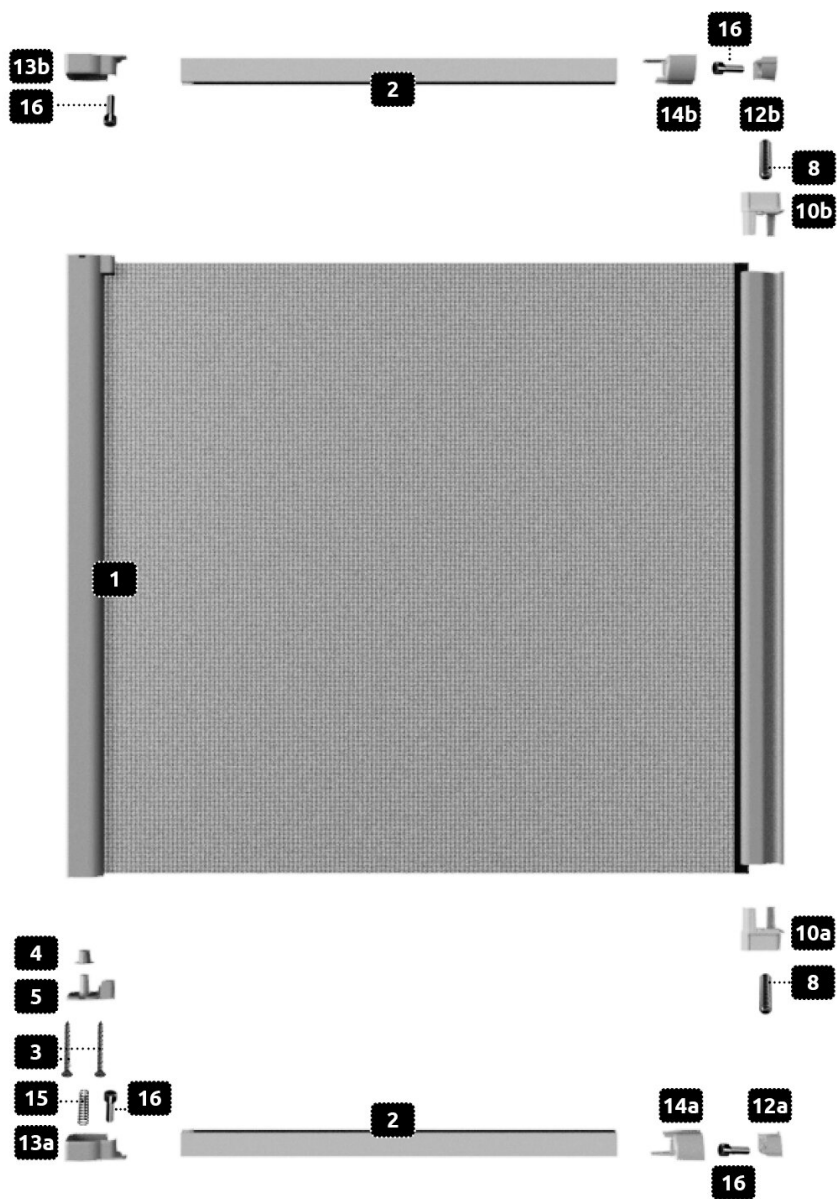


# Contents



# Overview

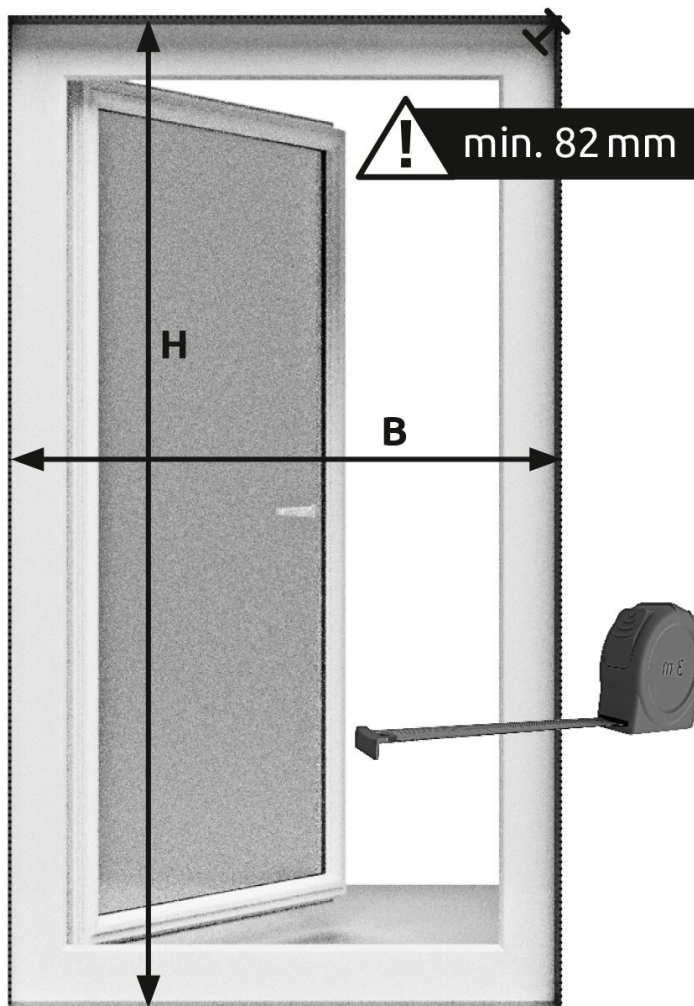
DE ÜBERSICHT  
EN OVERVIEW  
FR IAPERÇU



1

Measure width measurement B of the reveal, by determining the horizontal wall to wall distance.  
 Measure height measurement H of the reveal, by determining the vertical wall to wall distance.  
 Attention: For this assembly option, you will need a reveal depth of at least 82 mm for the installation of the insect screen blind. Notice: Take care to take the measurements in millimetres. 1 cm = 10 mm.

1

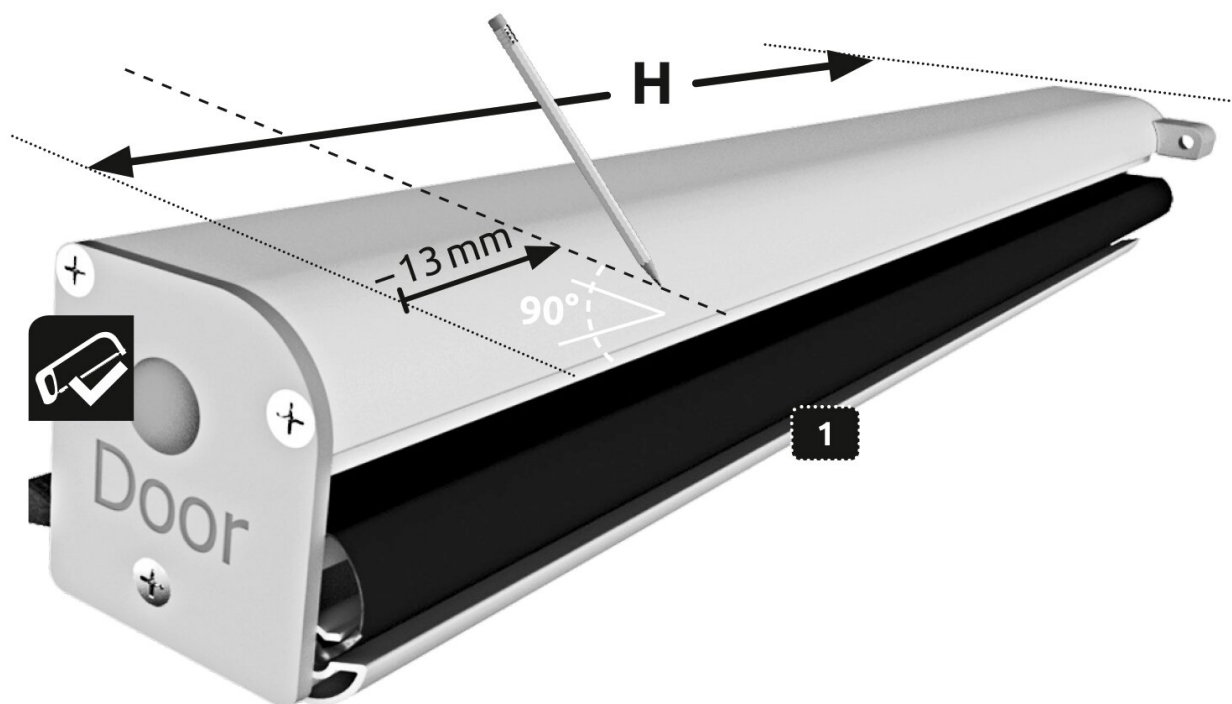


Maß | Measurement | Dimensions **B**: .....mm

Maß | Measurement | Dimensions **H**: .....mm

## 2.1

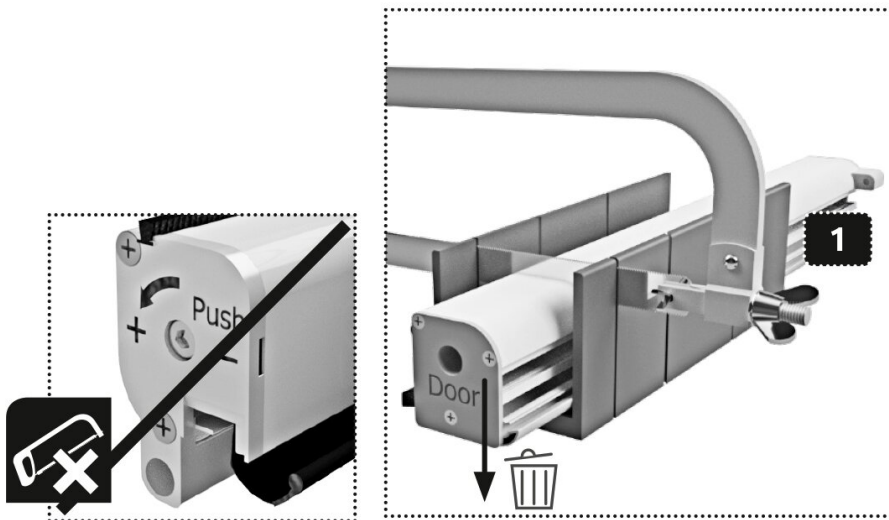
Mark the roller blind cartridge 1 with measurement H minus 13 mm on the side to be shortened. Shorten the roller blind cartridge 1 and grip rail at the marked point with a metal saw. Take note of the position of the cartridge. Example: Measured height of the reveal H = 2000 mm – 13 mm = 1987 mm. Attention: Risk of injury! Use the saw with caution.

**2**

## 2.2

Mark the roller blind cartridge 1 with measurement H minus 13 mm on the side to be shortened. Shorten the roller blind cartridge 1 and grip rail at the marked point with a metal saw. Take note of the position of the cartridge. Example: Measured height of the reveal H = 2000 mm – 13 mm = 1987 mm. Attention: Risk of injury! Use the saw with caution.

2



Maß | Measurement | Dimensions H:..... mm  
 - 13 mm

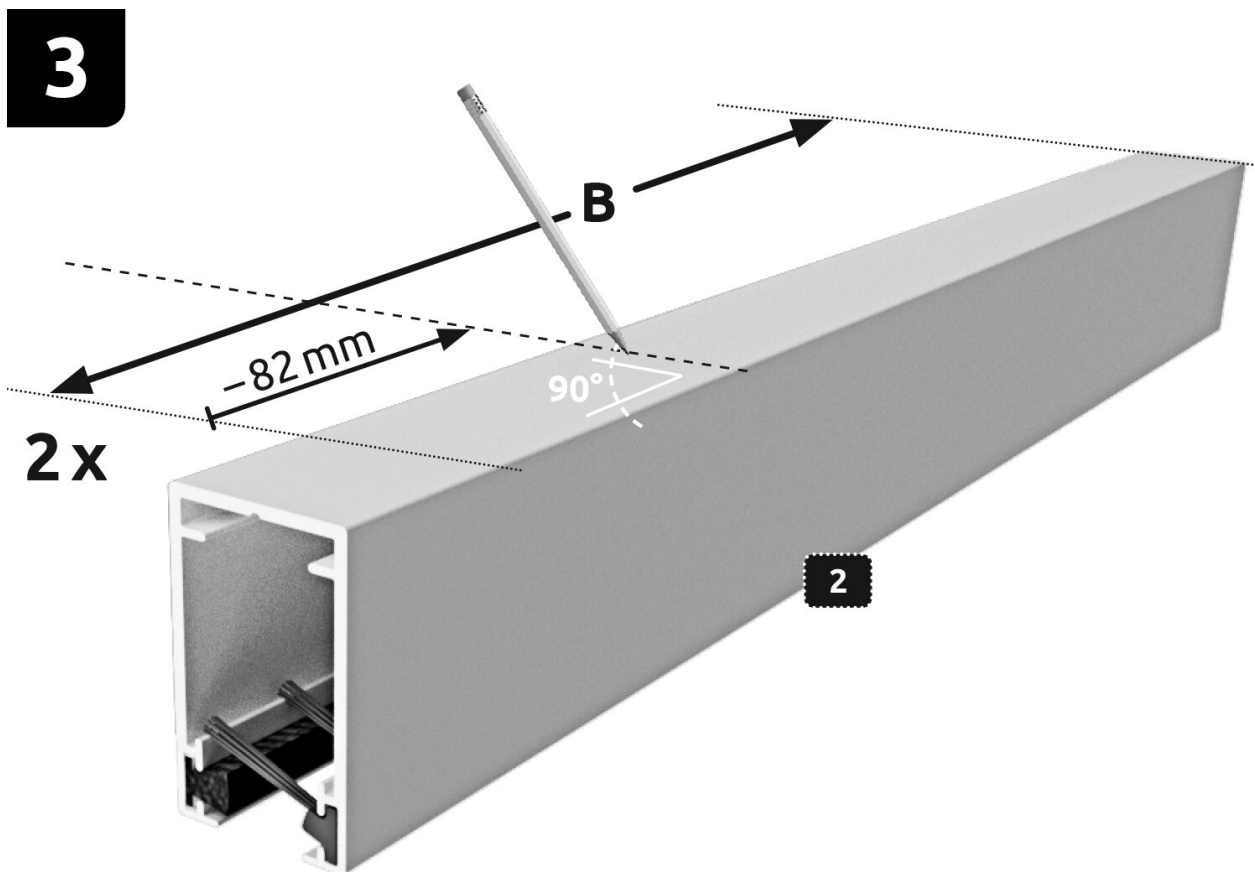


= ..... mm

Schnittmaß | Trim size | Dimensions de coupe

3

Mark the guide rail 2 with measurement B minus 82 mm. Shorten both guide rails 2 at the marked point with a metal saw. Example: Measured width of the reveal B = 1400 mm - 82 mm = 1318 mm. Attention: Risk of injury! Use the saw with caution.

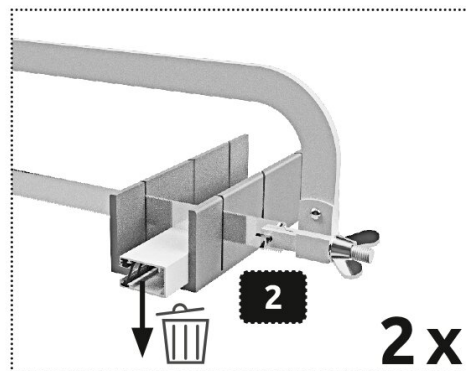


Maß | Measurement | Dimensions B: ..... mm

- 82 mm

= ..... mm

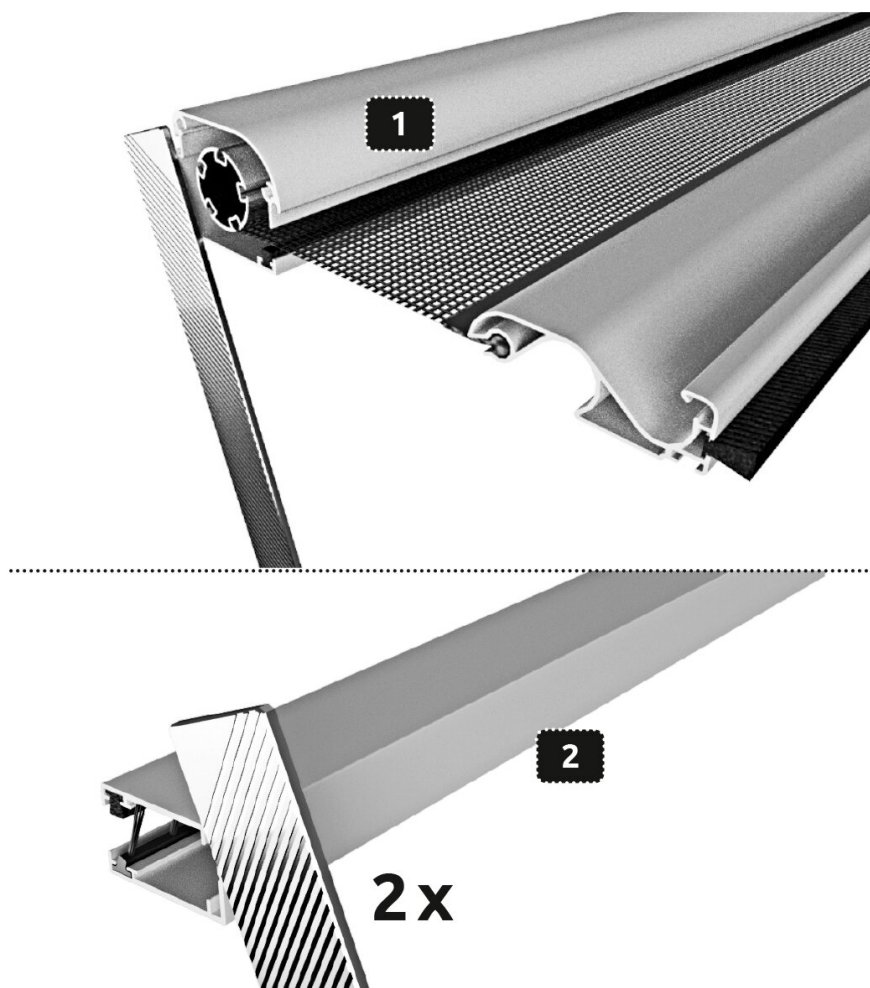
Schnittmaß | Trim size | Dimensions de coupe





4

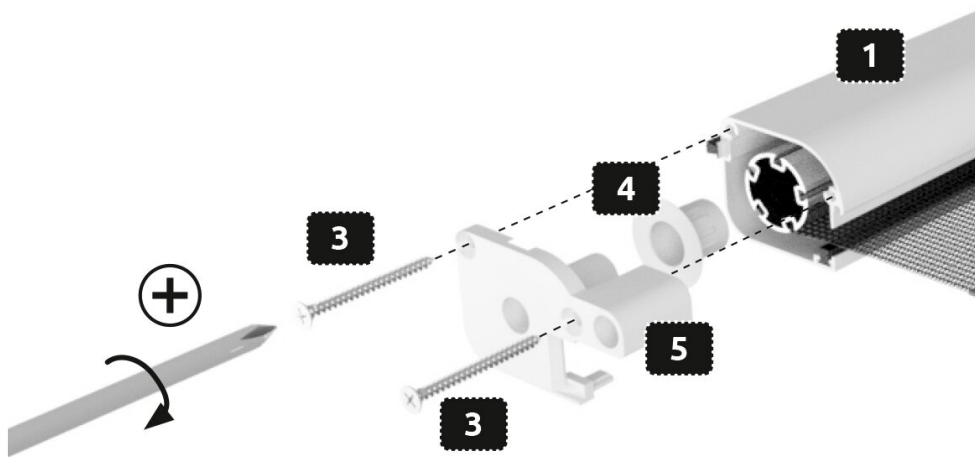
Deburr the intersection between with the cartridge 1 and the guide rails 2 with a file.

**4**



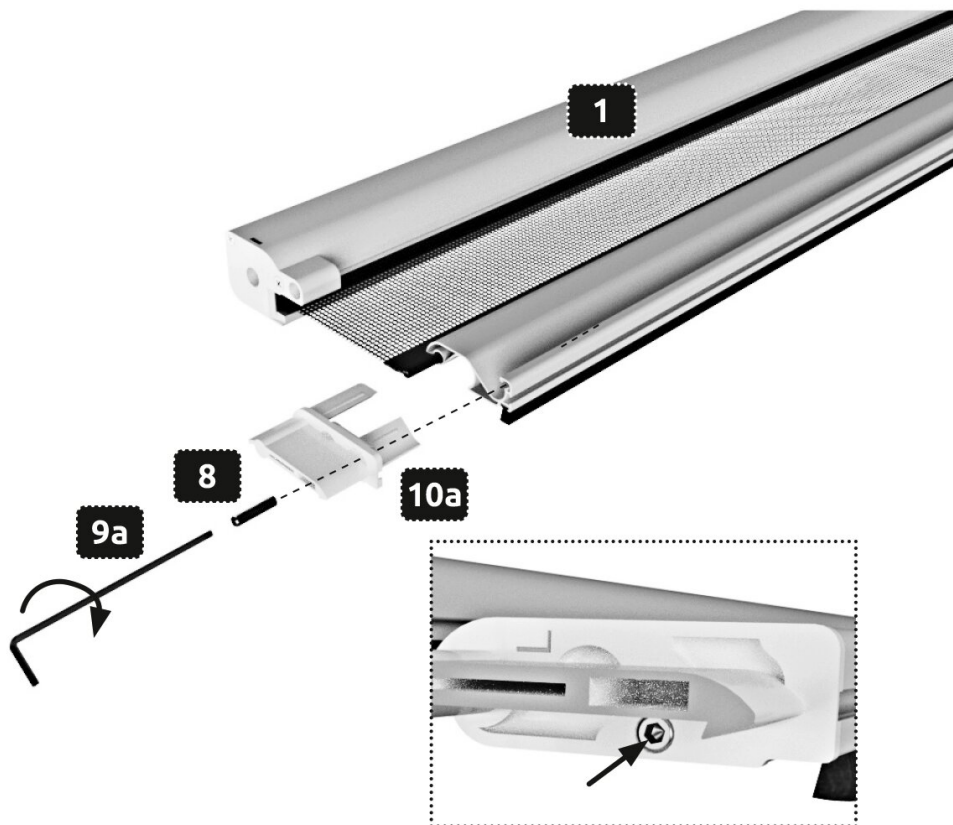
5

Attach the shaft bearing 4 to the shaft of the roller blind cartridge 1. Then, attach the end cap 5 to the roller blind cartridge 1 and screw them together with both screws 3.

**5**

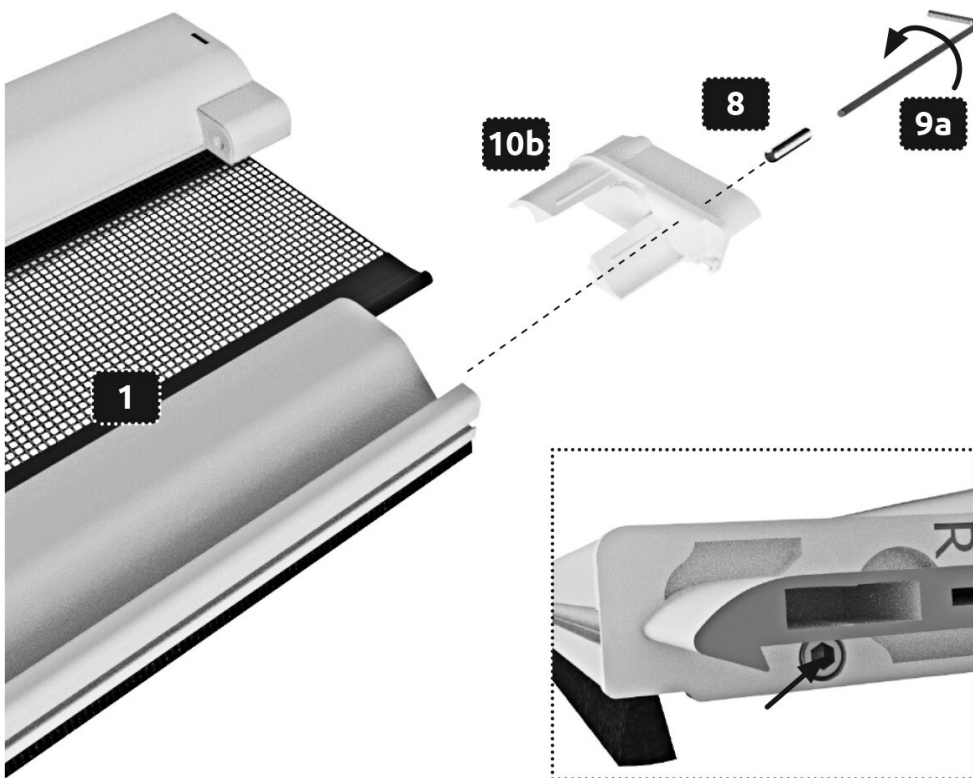
6

Attach the left grip lock 10a to the side of the guide rail of the roller blind cartridge 1. Attach it by screwing in the threaded pin 8 via the hexagonal socket 9a.

**6**

7

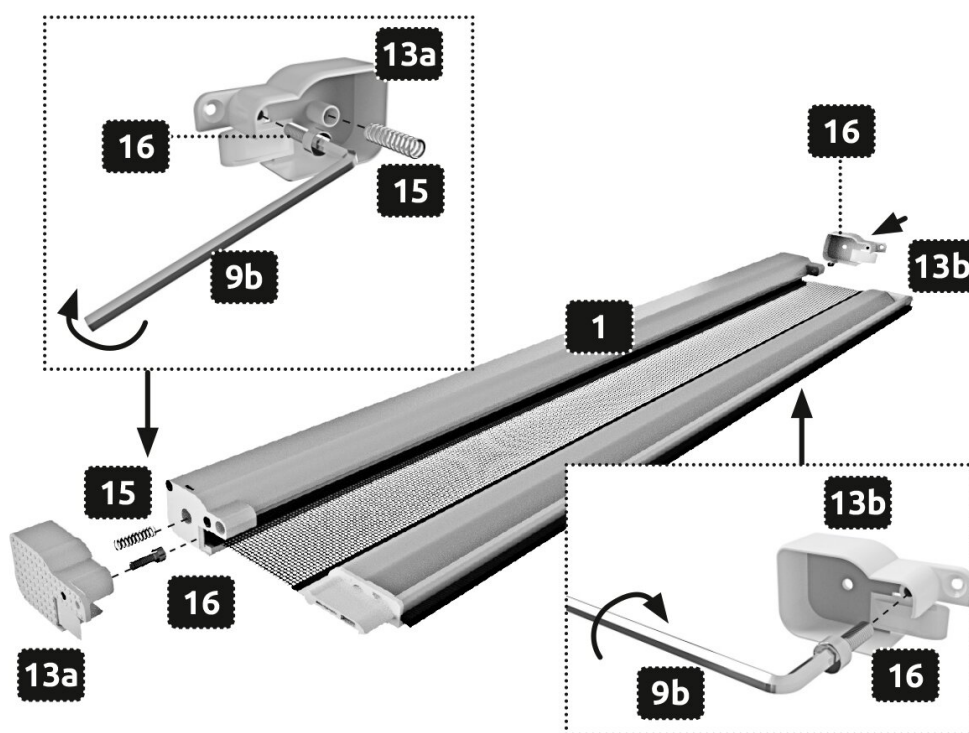
Attach the right grip lock 10b to the side of the guide rail of the roller blind cartridge 1. Attach it by screwing in the threaded pin 8 via the hexagonal socket 9a.

**7**

8

Attach one screw each 16 through the hexagonal socket 9b in the intended middle recess of the end caps 13a and 13b. Take note of the position of the end caps. Insert the spring 15 in the right recess of the left end cap 13a. Attach the covering caps 13a and 13b to the cartridge 1.

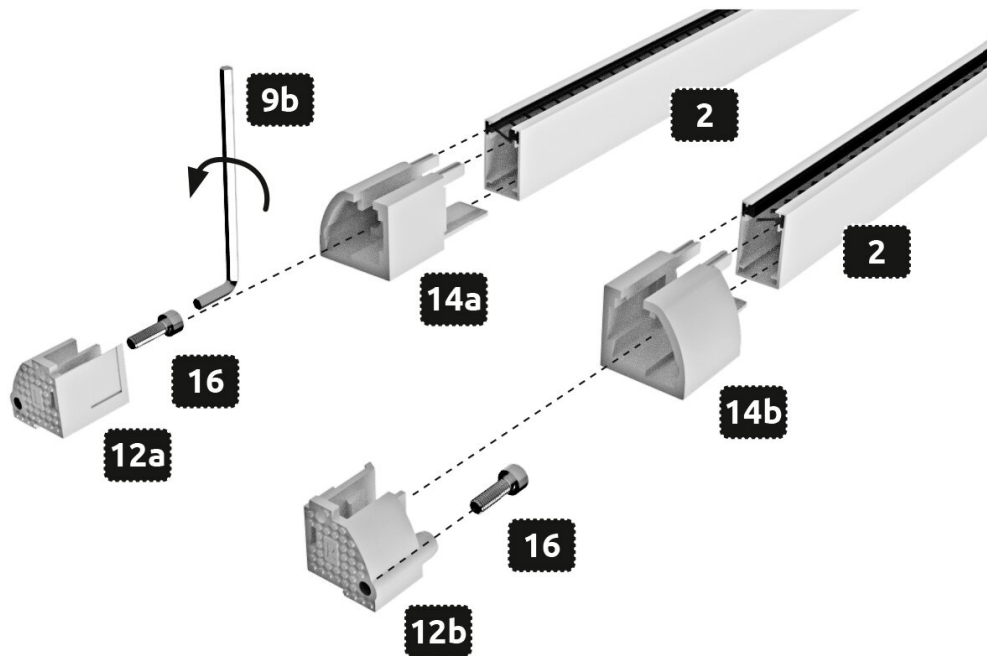
8



9

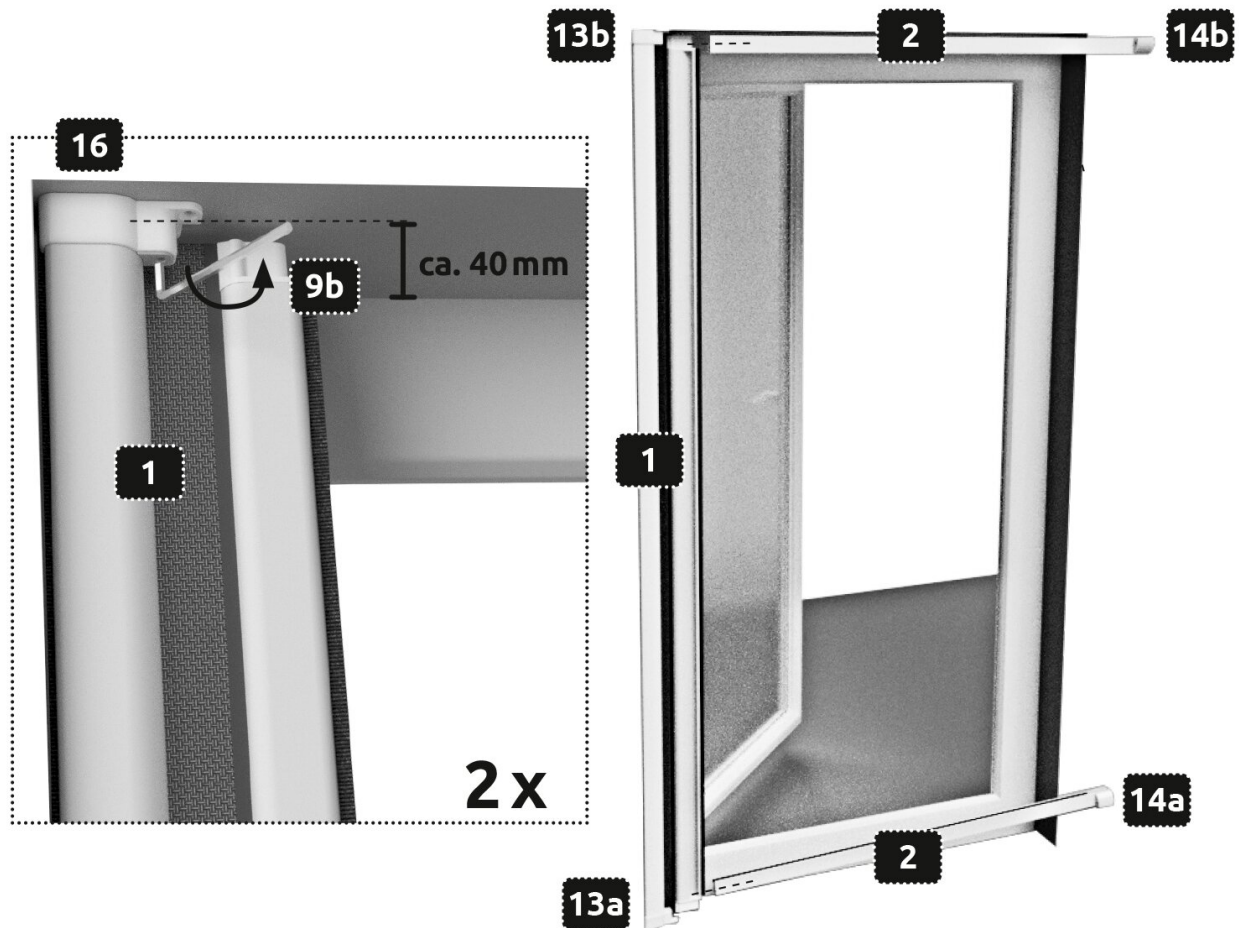
Attach one screw each 16 through the hexagonal socket 9b in the intended middle recess of the end caps 12a and 12b. Connect the lower and upper clamp parts 12a and 14a, as well as 12b and 14b together. Insert the connected clamp units into the guide rails 2. Take note of the position of the depicted individual parts.

9



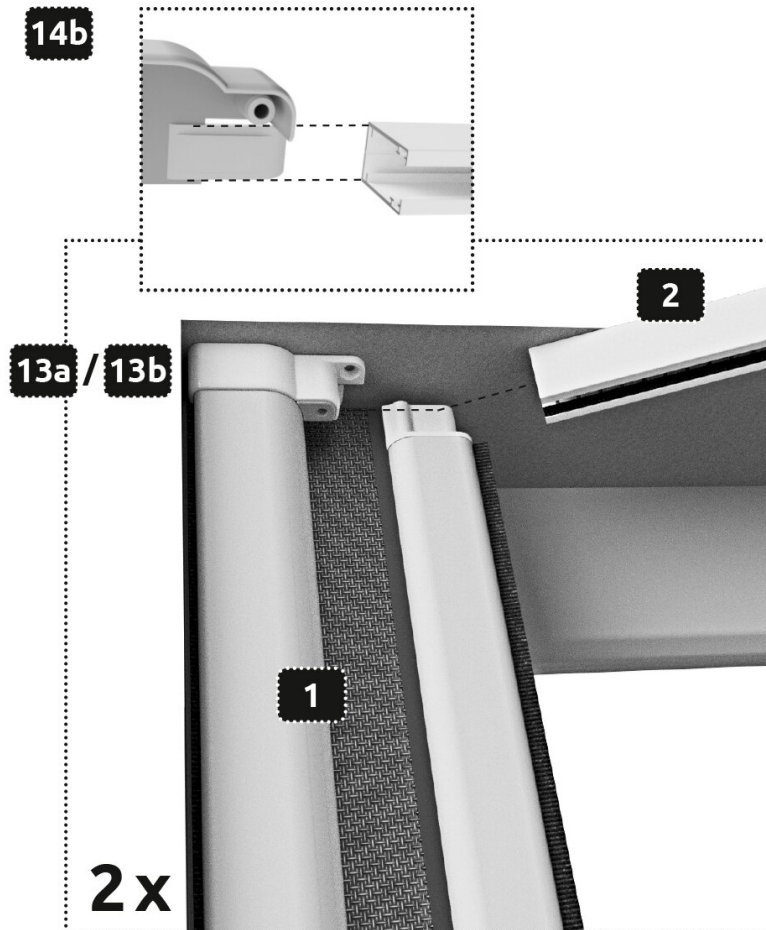
## 10.1

Initially, loosely clamp the roller blind cartridge 1 with approx. 40 mm distance to the door frame into the reveal by using the inner screws 16 via the hexagonal socket 9b. The screw section should point outwards, when doing this.

**10**


## 10.2

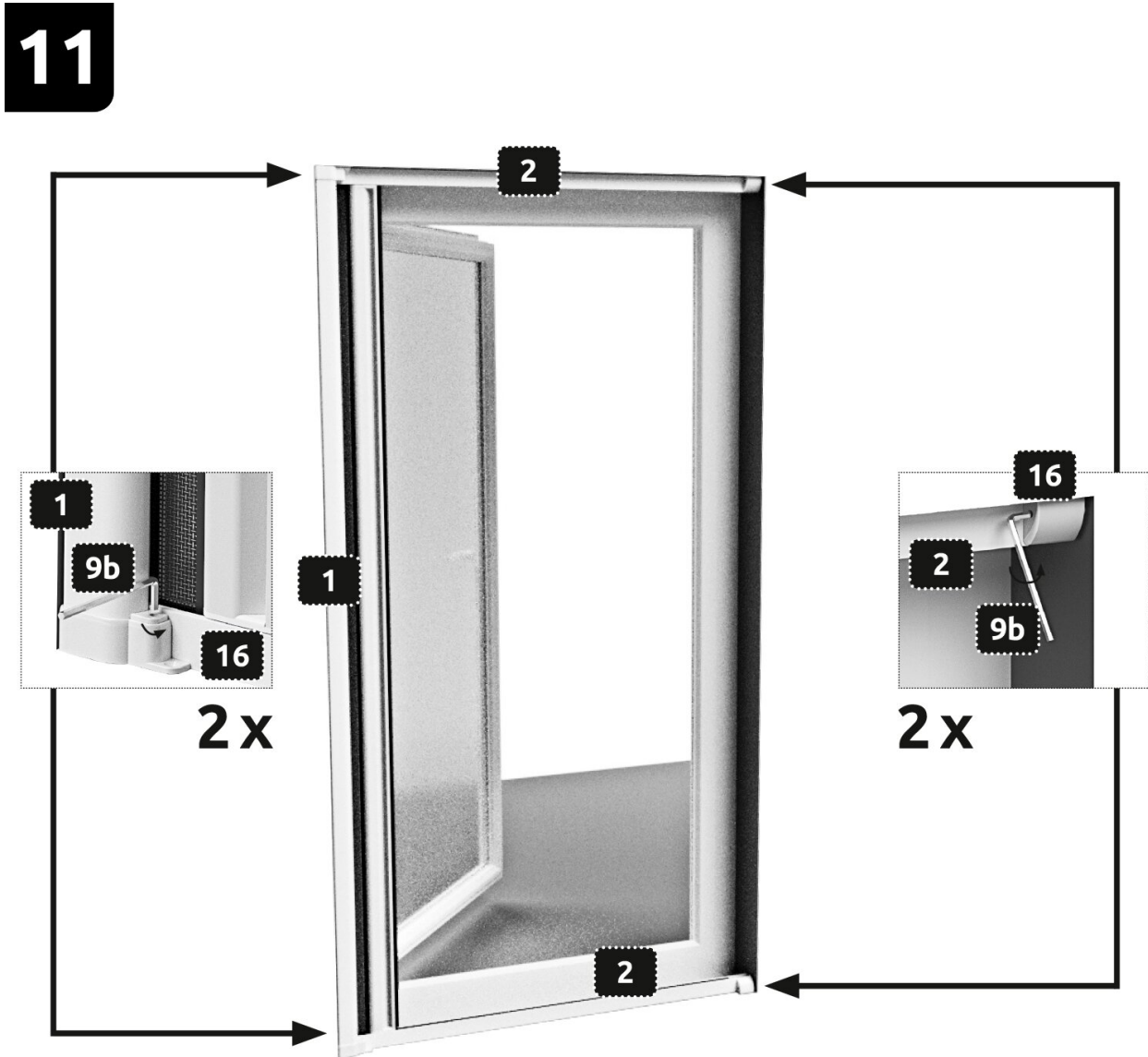
Attach the guide rails 2 via the end caps 13a and 13b with the roller blind cartridge 1.

**10**



11

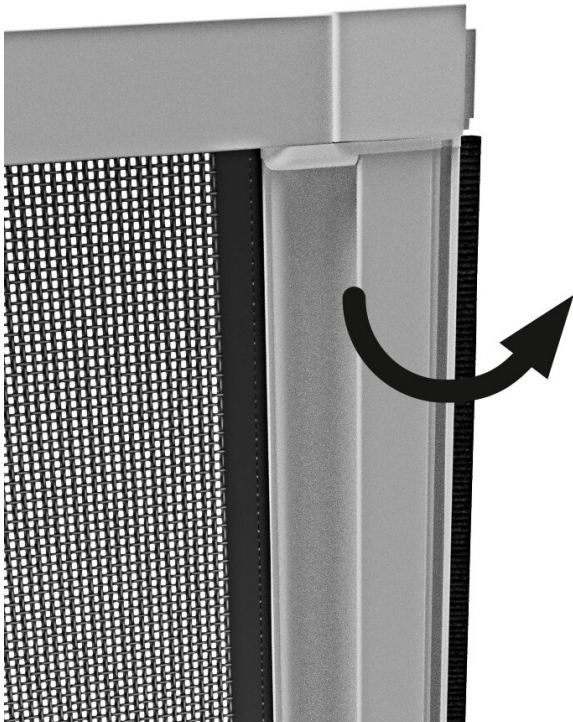
Attach the roller blind through adjusting the inner screws 16 on the roller blind cartridge 1 and guide rails 2 via the hexagonal socket 9b in the wall reveal.



## Close/Open

To close the roller blind, pull the guide rail to the lock side. This snaps into the side locking elements.  
To open, press the guide rails out, so they unlock.

# CLOSE



# OPEN



